



A comprehensive range  
of window blind systems  
designed with unique  
technical features and to  
the exacting specifications  
that active commercial  
environments demand.



## YewdaleDefiant® the blind systems range

A comprehensive range of window blind systems designed with unique technical features and to the exacting specifications that active commercial environments demand.



All YewdaleDefiant® blinds are carefully built to exacting standards, giving years of trouble free service. The superior design features and quality components enable them to be confidently specified for the most demanding environments.

### Child Safety

Yewdale feels that a responsible attitude is what is expected and looked for from every blind system provider. Not only do Yewdale feel that compliance is required in meeting the legal obligation set out in EN13120, but we have a clear responsibility to exceed what is expected and required of us so that you are protected. All relevant YewdaleDefiant® blinds incorporating accumulation cord/chain controls are supplied fully compliant with current legislation, whether as individual components or as a finished product. Test certificates are available.

### Fabric Range

The YewdaleDefiant® fabrics portfolio encompasses a vast range of fabrics and colour schemes; all of which are flame-retardant to current government standards. Fabric types include dim-out, black-out, solar reflective, high performance sun-screen, and solar film upon request. A comprehensive range of fabric selectors are available upon request. All fabrics are available in both full roll and cut length quantities, and are distributed globally through a network of dealers and customers providing an unrivalled level of support.

### O&M Guide

All YewdaleDefiant® Roller Blinds are designed to require low maintenance. The components and mechanisms are made from durable materials and will not corrode in normal use. In the event of damage most components are easily replaceable. Fabrics are designed to have high levels of stability and colour fastness.

## The full range YewdaleDefiant®

**Roller Blinds 4**  
The YewdaleDefiant® roller blind programme is one of the most comprehensive available, ranging from vision panel blinds to heavy duty electric blinds for large glazed areas.

**Cassette Blinds 18**  
YewdaleDefiant® cassette blinds give a smooth contemporary style to any window, and help to protect the blind fabric from dust or damage.

**Blackout Units 26**  
The YewdaleDefiant® range of blackout units provides you with the closest you can get to 100% light block.

**Insect Screens 30**  
The greatly enhanced interior environment provided by YewdaleDefiant® screens is an important contributor to the quality of life in many situations, both residential and commercial.

**Vertical Blinds 34**  
The YewdaleDefiant® vertical blind programme is one of the most comprehensive available, ranging from slim premium profiled units to heavy-duty electrically controlled blinds.



# YewdaleDefiant® Roller Blinds

All YewdaleDefiant® blinds are carefully built to exacting standards, giving years of trouble-free service. The superior design features and quality components enable them to be confidently specified for the most demanding environments.

Many YewdaleDefiant® blinds feature vandal-resistant controls and mechanisms, and are frequently to be seen in hospitals, schools, colleges and other public buildings, as well as the regular commercial and residential applications.

The YewdaleDefiant® roller blind programme is one of the most comprehensive available, ranging from miniature spring rollers for door vision panels to heavy-duty electric blinds for large glazed areas.

The YewdaleDefiant® fabrics programme encompasses a vast range of fabrics, all of which are flame-retardant to government standards. Fabric types include dim-out, black-out, solar reflective, sun-screen and solar film.

YewdaleDefiant® blinds are available in fully made to measure form completely ready for installing, or in a comprehensive individual component form - for ease of use within any in-house manufacturing facility. The full range is distributed globally through a network of dealers and customers providing an unrivalled level of support, and with experienced installation and service teams to exceed your expectations.

<b>R20 Sidewinder</b>	<b>5</b>
<b>R20C Crank</b>	<b>6</b>
<b>R20S Slow-rise Spring</b>	<b>7</b>
<b>R25 Low Voltage Electric 24v DC</b>	<b>8</b>
<b>R26 Overhead Corded</b>	<b>9</b>
<b>R29 Fascia</b>	<b>10</b>
<b>R40 Premium Sidewinder</b>	<b>11</b>
<b>R42 Assisted Sidewinder</b>	<b>12</b>
<b>R54 Heavy Duty Crank</b>	<b>13</b>
<b>R55 Heavy Duty Electric 240v AC</b>	<b>14</b>
<b>R56 Overhead Crank / R57 Overhead Electric</b>	<b>15</b>
<b>VPF Vision Panel Flap</b>	<b>16</b>
<b>Wire Side-guiding System</b>	<b>16</b>
<b>Specification Guide</b>	<b>17</b>



this roller blind range comes with a Full Lifetime Warranty as standard.



Standard Bottom Bar Featured

## R20 Sidewinder

### Features:

The YewdaleDefiant® R20 sidewinder roller blind incorporating Slipstream® Technology (patent pending) has metal control chain as standard. White metal universal brackets for face, top or side fixing with 32, 40 or 45mm grooved aluminium barrel, depending on blind size and fabric weight. Fabric is locked into groove in barrel, and features white plastic bottom bar as standard. Bottom bar is fabric covered at front.

### Benefits:

Strength and simplicity make the R20 the first choice for a vast range of applications. The choice of barrel size means that the blind is always ideally matched to window size for optimum performance. Vandal resistant features includes Slipstream®: a friction reducing technology - smooth action operation, air cooled design and double spring function - providing you with enhanced hold, exceptional long life properties and advanced chain loading. Metal control chain, fabric locked into barrel and bottom bar, and sturdy, attractive metal brackets.

Approved to work with the YewdaleKestrel® Anti-Ligature system.

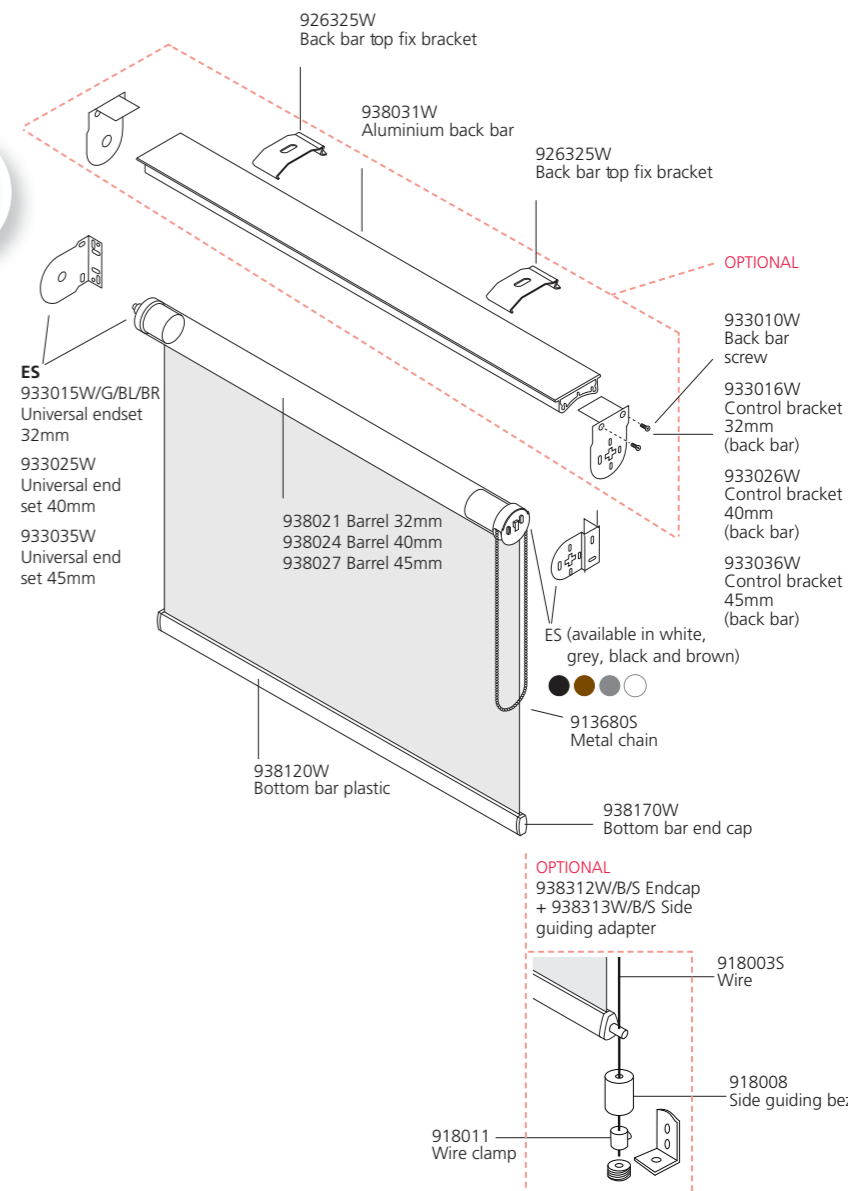
### Options:

32mm Slipstream® mechanisms in black, silver or brown; Extension brackets and bracket covers; Plastic control chain; Alternative bottom bars including fully fabric covered in aluminium or plastic, and Tear Drop aluminium in black, silver or white; Wire side-guiding system; White aluminium back bar; Turn-button tag.

### Specification:

The YewdaleDefiant® R20 sidewinder roller blind incorporating Slipstream® Technology for enhanced hold, advanced loading and exceptional long life properties as manufactured by Yewdale, +44 (0)1268 570900. Flame retardant fabric from the YewdaleDefiant® range, locked into grooved 32/40/45mm aluminium barrel along with white plastic bottom bar. Slipstream® Technology sidewinder control with metal control chain and white metal brackets.

Please refer to NBS Plus N10 240.



### have you seen our new range of fabrics?

Find a matching option from the YewdaleDefiant® range. You'll find it easy to choose from, using one of our fabric selectors.



Standard Bottom Bar Featured

## R20C Crank

### Features:

The YewdaleDefiant® R20C crank control roller blind features a 45mm grooved aluminium barrel and white metal universal brackets for face or top fixing. A robust 1:5 crank mechanism ensures smooth blind control, and incorporates a magnetic detachable crank handle. Fabric is locked into groove in barrel, and features white Tear Drop aluminium bottom bar as standard.

### Benefits:

Durability and simplicity make the R20C a good choice for a vast range of applications. The magnetic detachable crank ensures the blind is vandal resistant and safe for areas where cords are a threat. Fabric locked into the barrel and bottom bar and supported by sturdy, attractive metal brackets.

Approved to work with the YewdaleKestrel® Anti-Ligature system.

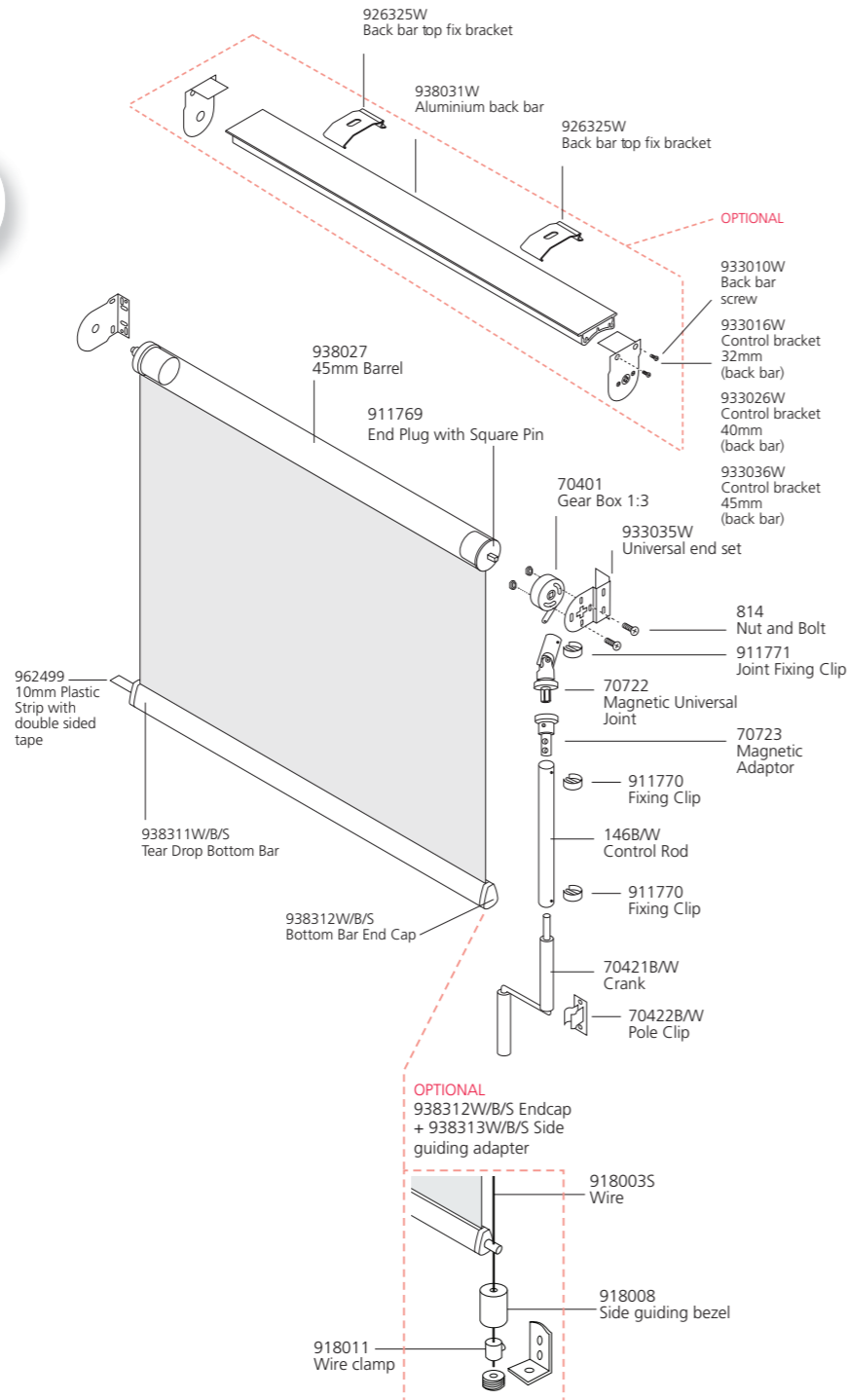
### Options:

Bracket covers; Alternative bottom bars including fully fabric covered in aluminium or plastic, and aluminium Tear Drop in black or silver; Wire side-guiding system; White aluminium back bar; Fixed crank handle; Turn-button tag.

### Specification:

The YewdaleDefiant® R20C crank control roller blind with magnetic detachable crank handle as manufactured by Yewdale, +44 (0)1268 570900. Robust vandal resistant 1:5 crank mechanism and pin end supported by white metal brackets. Flame retardant fabric from the YewdaleDefiant® range, locked into grooved 45mm aluminium barrel along with white Tear Drop aluminium bottom bar.

Please refer to NBS Plus N10 240.



Standard Bottom Bar Featured

## R20S Slow-rise Spring

### Features:

The YewdaleDefiant® R20S slow-rise spring roller blind with slow-rise spring ensures smooth and quiet operation. White metal universal brackets for face or top fixing with 32mm grooved aluminium barrel. Fabric is locked into groove in barrel, and features white Tear Drop aluminium bottom bar with cord pull as standard.

### Benefits:

Smooth and quiet operation makes the R20S an excellent choice for a vast range of applications. Where there is a need for child safety the R20S slow-rise spring is the answer with the ease of use and the lack of cords, this provides the ultimate solution. The slow-rise spring is enclosed within the barrel supported by sturdy, attractive metal brackets. Fabric is locked into barrel and bottom bar maintaining exceptional edge to edge coverage for even better shading properties.

Approved to work with the YewdaleKestrel® Anti-Ligature system.

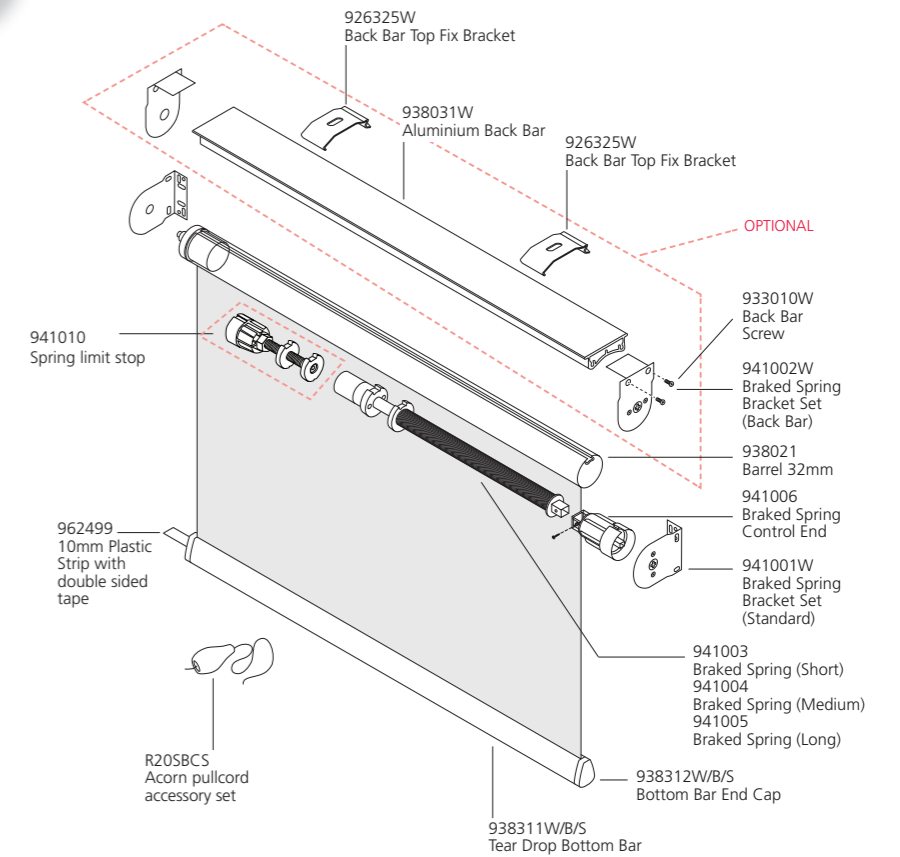
### Options:

Spring limit stop; Alternative bottom bars, including fully fabric covered, in aluminium or plastic, and aluminium Tear Drop in black or silver; White aluminium back bar; Turn-button tag.

### Specification:

The YewdaleDefiant® R20S slow-rise spring control roller blind with vandal resistant, child friendly slow-rise spring as manufactured by Yewdale, +44 (0)1268 570900. Slow-rise spring and spring end is housed within aluminium barrel supported by white metal brackets. Flame retardant fabric from the YewdaleDefiant® range, locked into grooved 32mm aluminium barrel along with white Tear Drop aluminium bottom bar.

Please refer to NBS Plus N10 240.



**have you seen our new range of fabrics?**

Find a matching option from the YewdaleDefiant® range. You'll find it easy to choose from, using one of our fabric selectors.



Standard Bottom Bar Featured

## R25 Low Voltage Electric 24v DC

### Features:

The YewdaleDefiant® R25 electric roller blind with low voltage, advanced RTS Somfy motor as standard. White metal brackets for face or top fixing with 40 or 45mm grooved aluminium barrel, depending on blind size and fabric weight, housing a 24v DC Somfy motor. The motor is controlled by a switch/transformer which may be surface or flush mounted. Fabric is locked into groove in barrel, and features white plastic bottom bar as standard. Bottom bar is fabric covered at front.

### Benefits:

A slim, reasonably priced blind with true fingertip control makes the R25 a perfect choice for motorised requirements. It's quiet and reliable motor is housed within the barrel and supported by sturdy, attractive metal brackets. The fabric is locked into barrel and bottom bar and will give years of trouble-free use.

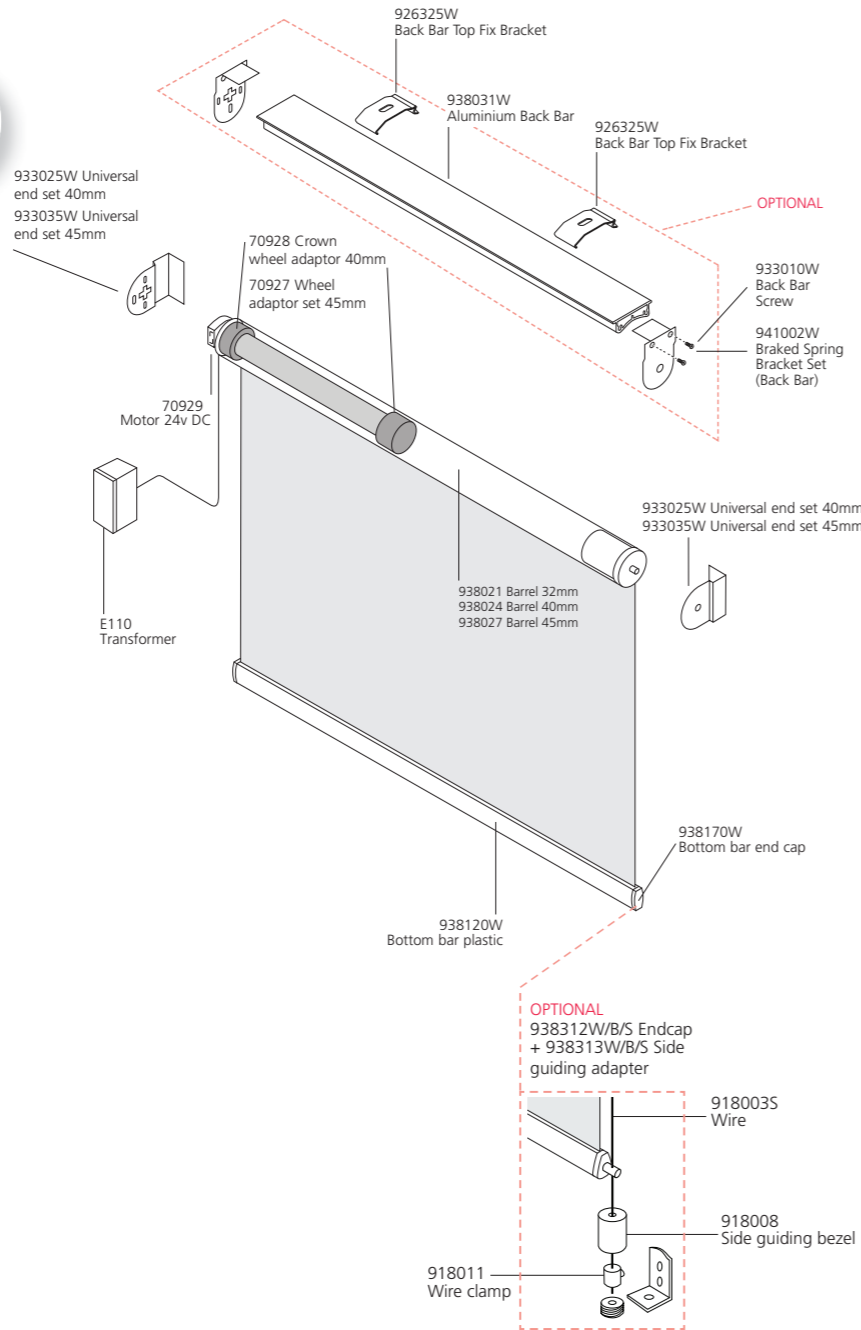
### Options:

Fully fabric covered bottom bar; Alternative bottom bars, including fabric covered aluminium, and Tear Drop aluminium in black, silver or white. Group control systems; Wire side-guiding system; White aluminium back bar.

### Specification:

YewdaleDefiant® R25 low voltage electric roller blind with low voltage, advanced RTS 24v DC Somfy motor as manufactured by Yewdale, +44 (0)1268 570900. Slim motor and spring end is housed within aluminium barrel supported by white metal brackets. Flame retardant fabric from the YewdaleDefiant® range, locked into grooved 40/45mm aluminium barrel along with white plastic bottom bar.

Please refer to NBS Plus N10 240.



Standard Bottom Bar Featured

## R26 Overhead Corded

### Features:

The YewdaleDefiant® R26 overhead corded roller blind with pull-cord and pulleys as standard. White plastic brackets for face or top fixing with 25mm aluminium barrel or white metal brackets for 57mm aluminium barrel, and strong, constant tension spring mechanism. Fabric is bonded onto barrel, and features white Tear Drop aluminium bottom bar. Pull-cord with cleat, and pulleys for single or double-corded operation.

### Benefits:

Ideal for relatively inaccessible locations, the R26 utilises tried and tested spring components and simple manual operation. Subject to size limitations it is able to cope with sloping or even horizontal roof windows. The fabric is bonded to barrel and locked into bottom bar, and supported by sturdy attractive brackets.

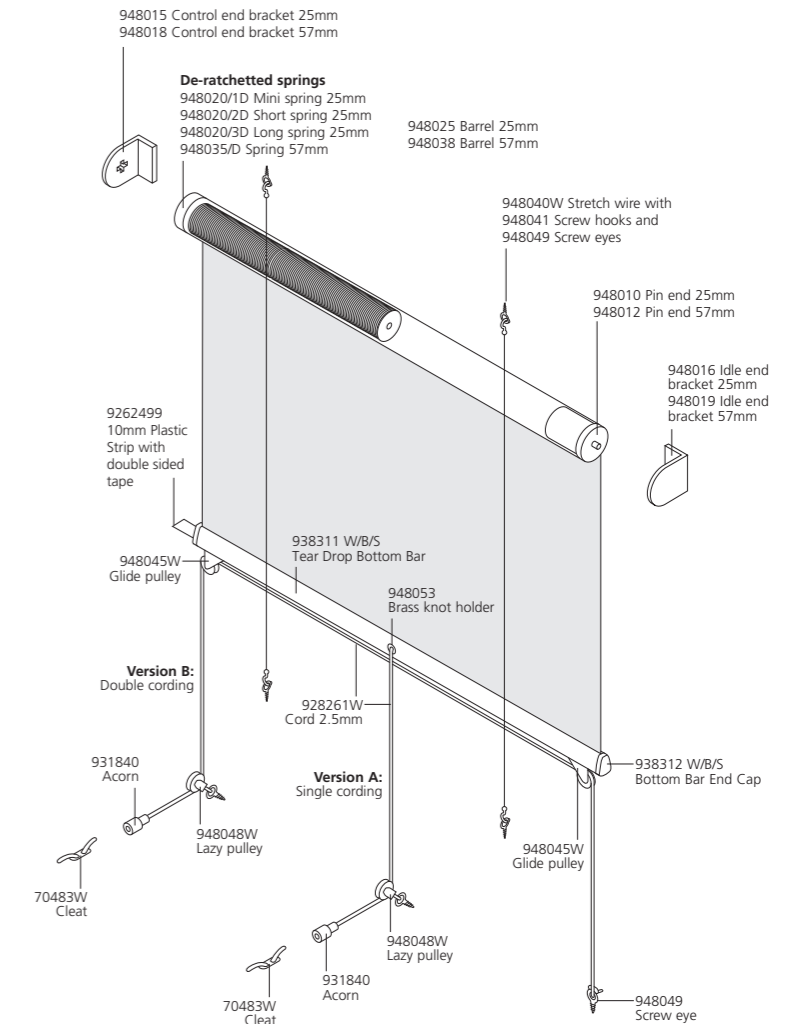
### Options:

Tear Drop aluminium bottom bar in black or silver.

### Specification:

YewdaleDefiant® R26 overhead corded roller blind with constant tension spring mechanism as manufactured by Yewdale, +44 (0)1268 570900. Complete with pull-cord, cleat and pulleys for overhead operation, supported by sturdy white brackets. Flame retardant fabric from the YewdaleDefiant® range, on aluminium barrel with spring operation for single or double-handed use. Complete with pull-cord, cleat and pulleys for overhead operation.

Please refer to NBS Plus N10 240.



have you seen our new range of fabrics?

Find a matching option from the YewdaleDefiant® range. You'll find it easy to choose from, using one of our fabric selectors.





## R29 Fascia

### Features:

The YewdaleDefiant® R29 Fascia roller blind with aluminium fascia as standard. White metal brackets for face or top fixing with 40 or 45mm grooved aluminium barrel, depending on blind size and fabric weight, and 105 x 105mm white aluminium fascia section. Metal control chain with rugged sidewinder mechanism. Fabric is locked into groove in barrel, and features white plastic bottom bar as standard. Bottom bar is fabric covered at front.

### Benefits:

The R29 is an attractive/discreet way of housing a roller blind inconspicuously. The compact fascia system protects the mechanism and fabric when the blind is in open position. The fabric is locked into barrel and bottom bar and supported by sturdy, attractive metal brackets.

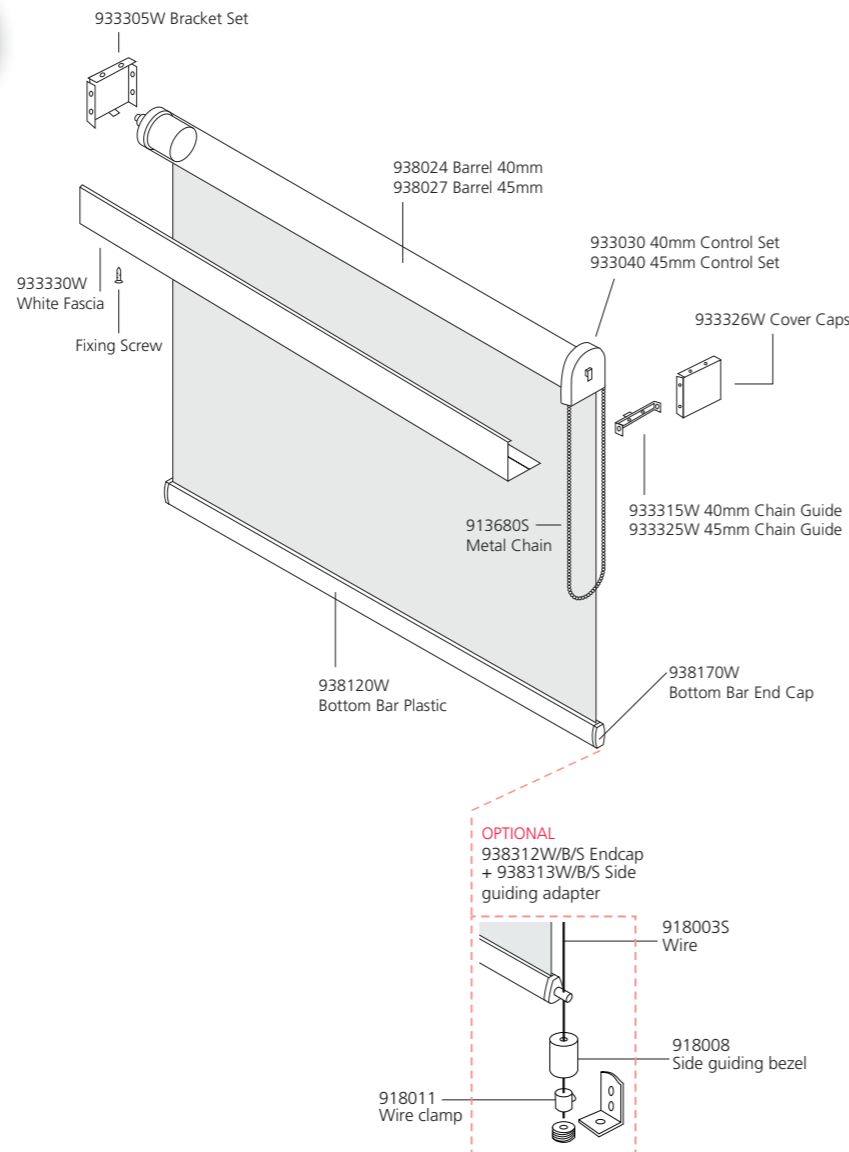
### Options:

Fully fabric covered bottom bar; Alternative bottom bars including fabric covered aluminium, and Tear Drop aluminium in black, silver or white; Wire side-guiding system; Turn-button tag.

### Specification:

YewdaleDefiant® R29 fascia roller blind with aluminium fascia system as manufactured by Yewdale, +44 (0)1268 570900. Flame retardant fabric from the YewdaleDefiant® range, locked into grooved 40/45mm aluminium barrel along with white plastic bottom bar. Sidewinder control with metal control chain and white metal brackets.

Please refer to NBS Plus N10 240.



## R40 Premium Sidewinder

### Features:

The YewdaleDefiant® R40 heavy duty roller blind with premium sidewinder mechanism as standard. White plastic brackets for face or top fixing with 36mm grooved aluminium barrel or white metal brackets with 53 or 70mm grooved aluminium barrel, depending on blind size and fabric weight. Superior quality 1:4 geared sidewinder mechanisms for heavy duty operation, with metal control chain. Fabric is locked into groove in barrel, and features white Tear Drop aluminium bottom bar as standard.

### Benefits:

The R40 opens up a whole range of premium quality sidewinder controlled blinds. The control mechanisms are meticulously designed for a long and trouble-free life, and the wide choice of barrel sizes, ranging from the attractively slim 36mm to the extremely rigid 70mm, means that there is a superbly engineered sidewinder blind for almost every application. Fabric is located in the groove in such a way that, although it cannot be pulled out, it may be slid out sideways for easy repair or replacement of blind cover.

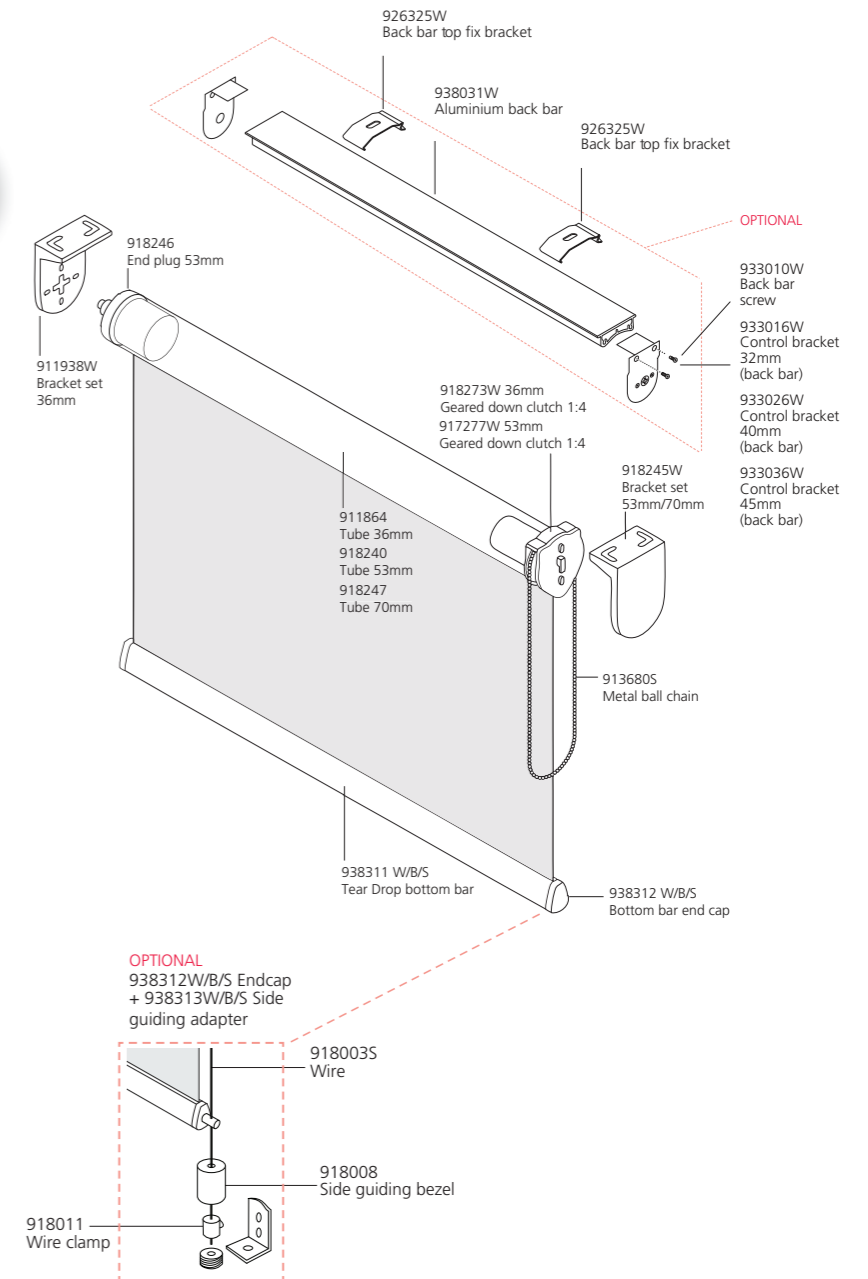
### Options:

Alternative bottom bars, in plastic or aluminium, including fabric covered; Tear Drop aluminium bottom bar in black or silver; Wire side-guiding system; White aluminium back bar; Turn-button tag.

### Specification:

YewdaleDefiant® R40 premium sidewinder roller blind with superior quality 1:4 geared sidewinder mechanism for heavy duty operation as manufactured by Yewdale, +44 (0)1268 570900. Flame retardant fabric from the YewdaleDefiant® range, locked into grooved 36/53/70mm aluminium barrel along with white Tear Drop aluminium bottom bar as standard. Supported by sturdy, attractive brackets and incorporating metal control chain.

Please refer to NBS Plus N10 240.



**have you seen our new range of fabrics?**

Find a matching option from the YewdaleDefiant® range. You'll find it easy to choose from, using one of our fabric selectors.





## R42 Assisted Sidewinder

### Features:

The YewdaleDefiant® R42 spring-assisted sidewinder roller blind with decelerator as standard. White plastic brackets for face or top fixing with 36mm grooved aluminium barrel, housing a direct gear control mechanism. This flexible mechanism has a unique spring assistance with decelerator on the upward motion. Fabric is locked into groove in barrel, and features white Tear Drop aluminium bottom bar as standard.

### Benefits:

The R42 provides a perfect platform for assistance in the form of a sidewinder controlled blind. With its built-in spring assisted decelerator the mechanism takes lifting blinds to a new dimension. The application of only a very small amount of pressure applied to the chain, will result in the blind moving smoothly and effortlessly upwards to the desired position.

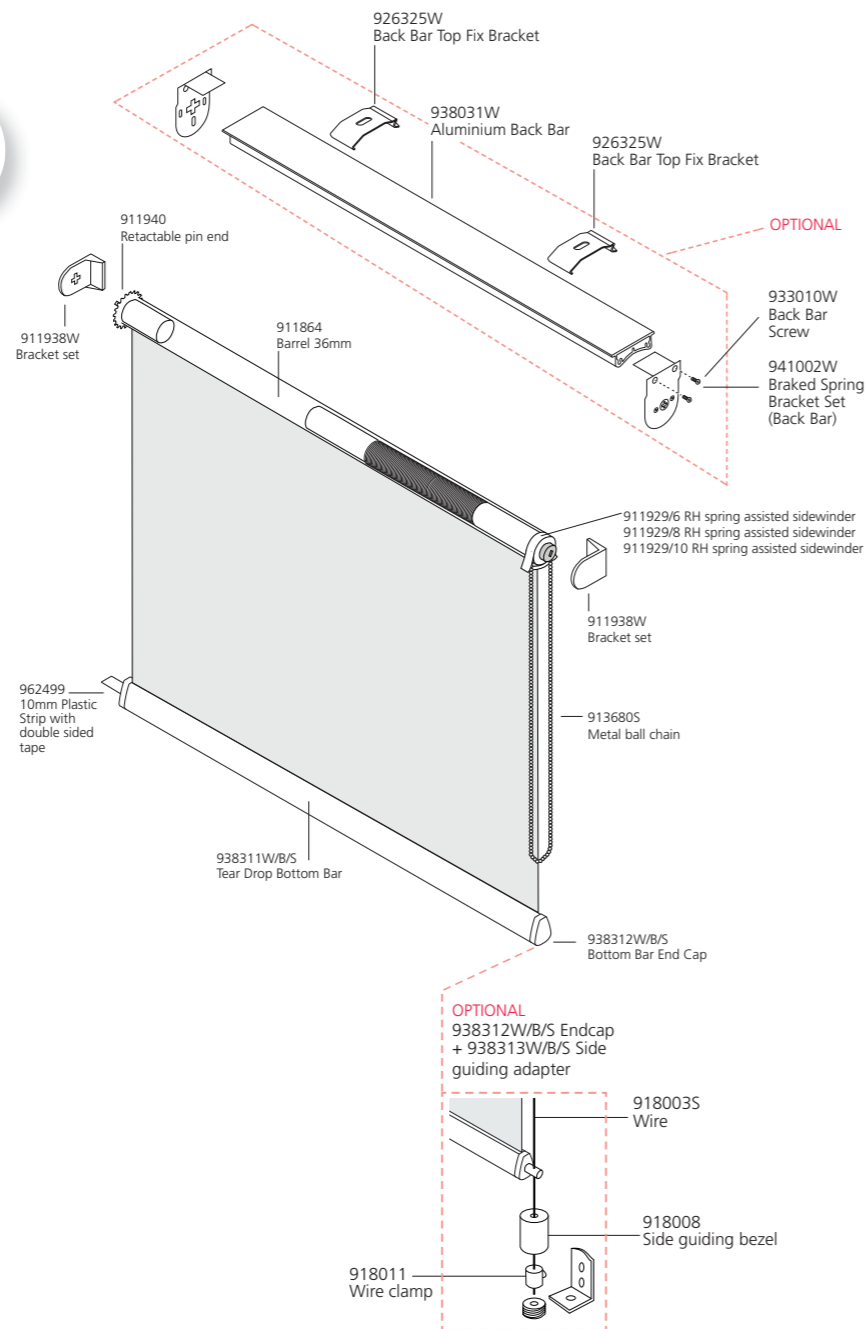
### Options:

Alternative bottom bars, in plastic or aluminium, including fabric covered; Tear Drop aluminium bottom bar in black or silver; Wire side-guiding system; White aluminium back bar; Turn-button tag.

### Specification:

YewdaleDefiant® R42 Assisted sidewinder roller blind with spring assisted decelerator mechanism as manufactured by Yewdale, +44 (0)1268 570900. Flame retardant fabric from the YewdaleDefiant® range, locked into grooved 36mm aluminium barrel along with white Tear Drop aluminium bottom bar as standard. Supported by sturdy, attractive brackets and incorporating metal control chain.

Please refer to NBS Plus N10 240.



## R54 Heavy Duty Crank

### Features:

The YewdaleDefiant® R54 crank control roller blind features a heavy duty 1:3 crank mechanism for effective operation of oversized blinds. Operated by a magnetic detachable crank handle, and accommodating robust grooved aluminium barrel, this system is built to last. White plastic covered / metal brackets for face or top fixing, and with 53 or 70mm grooved aluminium barrel, depending on blind size and fabric weight. Fabric is locked into groove in barrel, and features white Tear Drop aluminium bottom bar as standard.

### Benefits:

The strongest manual control blind from the YewdaleDefiant® range. The R54 is designed to cope, and built to last. Fabric is located in the groove in such a way that, although it cannot be pulled out it may be slid out sideways for easy repair or replacement of blind cover. The removable crank means that the blind cannot be tampered with by unauthorised personnel. Ideal for situations when a large blind size is required, or when vandal-resistance is a priority.

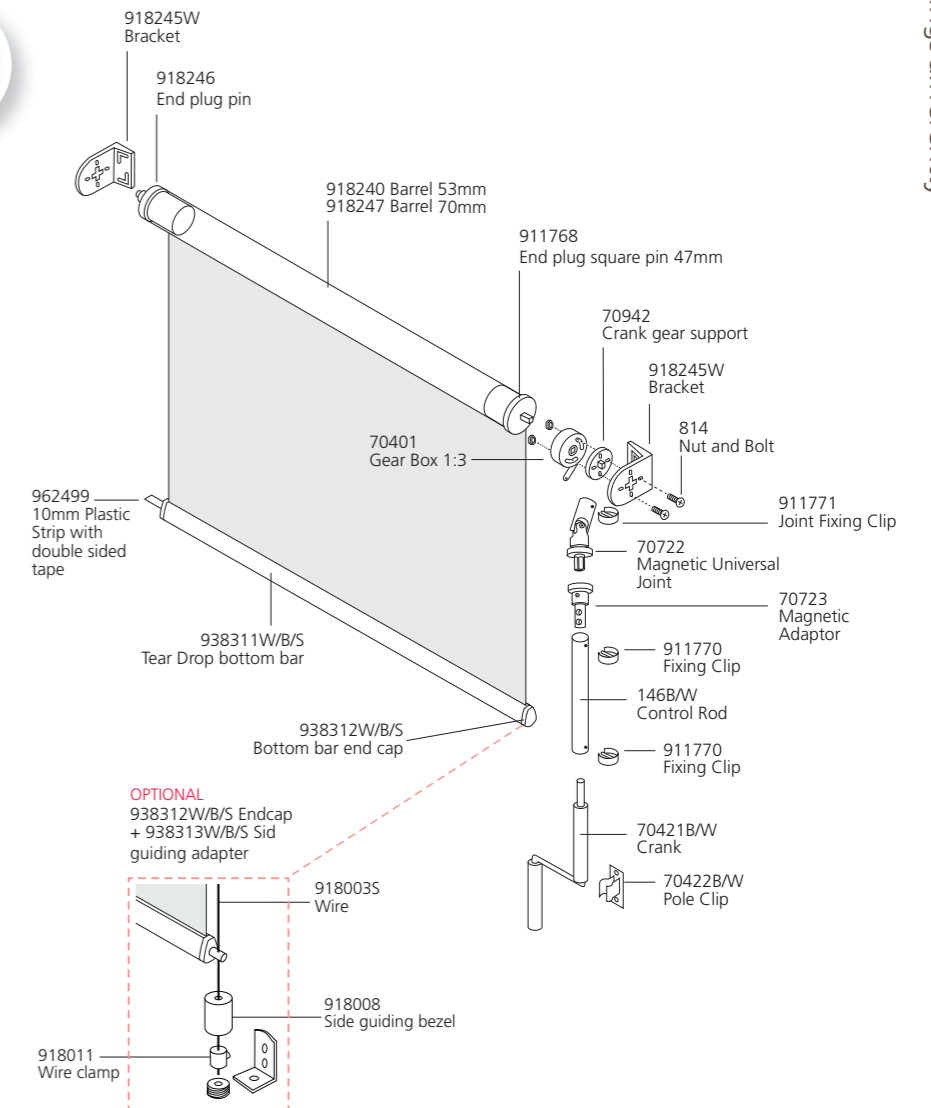
### Options:

Alternative bottom bars in aluminium, including fabric covered; Tear Drop aluminium bottom bar in black or silver; Wire side-guiding system; Turn-button tag; Fixed crank handle.

### Specification:

YewdaleDefiant® R54 Heavy duty crank control roller blind with heavy duty 1:3 crank mechanism as manufactured by Yewdale, +44 (0)1268 570900. Flame retardant fabric from the YewdaleDefiant® range, locked into grooved 53/70mm aluminium barrel along with white Tear Drop aluminium bottom bar as standard. Supported by sturdy, attractive brackets and incorporating magnetic detachable crank handle.

Please refer to NBS Plus N10 240.



**have you seen our new range of fabrics?**

Find a matching option from the YewdaleDefiant® range. You'll find it easy to choose from, using one of our fabric selectors.



Standard Bottom Bar Featured

## R55 Heavy Duty Electric 240v AC

### Features:

The YewdaleDefiant® R55 electric roller blind with a Somfy motor as standard. White plastic covered, metal brackets for face or top fixing with 53 or 70mm grooved aluminium barrel, depending on blind size and fabric weight, housing a powerful 240v AC Somfy motor. The motor is controlled by a switch/transformer which may be surface or flush mounted. Fabric is locked into groove in barrel, and features white Tear Drop aluminium bottom bar as standard.

### Benefits:

The R55 offers a premium roller blind for situations where strength and ease of use are paramount. It's quiet and reliable motor is housed within the barrel and supported by sturdy, attractive metal brackets. The fabric is locked into barrel and bottom bar in such a way that, although it cannot be pulled out, it may be slid out sideways for easy repair or replacement of blind cover. A large number of control options are available, including RF and infra-red remote allowing the specifier to integrate the window shading element into an overall scheme of electrical control systems.

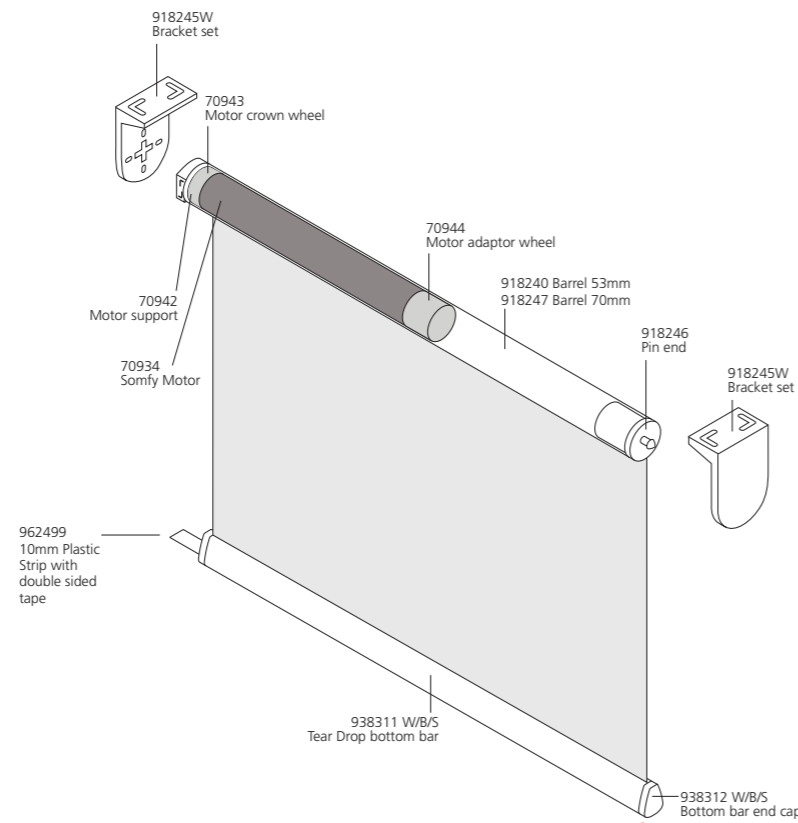
### Options:

Alternative bottom bars in aluminium, including fabric covered; Tear Drop aluminium bottom bar in black or silver; Wire side-guiding system; Remote and/or group control systems.

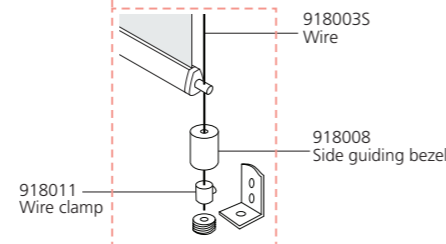
### Specification:

YewdaleDefiant® R55 heavy duty electric roller blind with 240v AC Somfy motor as manufactured by Yewdale, +44 (0)1268 570900. Slim Somfy motor is housed within aluminium barrel supported by white metal brackets. Flame retardant fabric from the YewdaleDefiant® range, locked into grooved 53/70mm aluminium barrel along with white Tear Drop aluminium bottom bar as standard.

Please refer to NBS Plus N10 240.



**OPTIONAL**  
938312W/B/S Endcap  
+ 938313W/B/S Side  
guiding adapter



### have you seen our new range of fabrics?

Find a matching option from the YewdaleDefiant® range. You'll find it easy to choose from, using one of our fabric selectors.



Standard Bottom Bar Featured

## R56 Overhead Crank R57 Overhead Electric

### Features:

The YewdaleDefiant® overhead roller blind system is available in 2 standard options - with crank operation or with 240v AC Somfy motor. White aluminium brackets for top or face fixing with 53 and 57mm grooved aluminium barrels. Fabric is mounted onto a sprung 57mm aluminium barrel whilst at the other end it is fitted to a white Tear Drop aluminium bottom bar, attached to two draw tapes. These tapes are attached, between flanged guides, to the 53mm drive barrel, operated by 1:4 gear control mechanism and crank handle (R56) or 240v AC electric motor (R57).

### Benefits:

Both the R56 and the R57 roller blinds are the ultimate in choice for the shading requirements for sloping or horizontal roof windows. With heavy duty componentry and a powerful spring action to the fabric roller, these blinds may be confidently specified for awkward or inaccessible locations. The magnetic detachable crank handle provided with the R56 removes the common issues associated with locating the drive at height and solves the problem of unauthorised use. The R57 can be supplied with a number of remote or group control options including RF and infrared.

### Options:

Tear Drop aluminium bottom bar in black or silver; Fixed crank handle (R56); Remote and/or group control systems (R57).

### Specification:

YewdaleDefiant® R56 crank operation overhead roller blind with 1:4 geared crank mechanism as manufactured by Yewdale, +44 (0)1268 570900. Flame retardant fabric from the YewdaleDefiant® range, on 57mm aluminium barrel with enclosed spring attached to white Tear Drop aluminium bottom bar as standard. 53mm drive barrel connected to gear control crank mechanism operates blind by means of draw-tapes to the bottom bar. Supported by sturdy, attractive brackets and incorporating magnetic detachable crank handle.

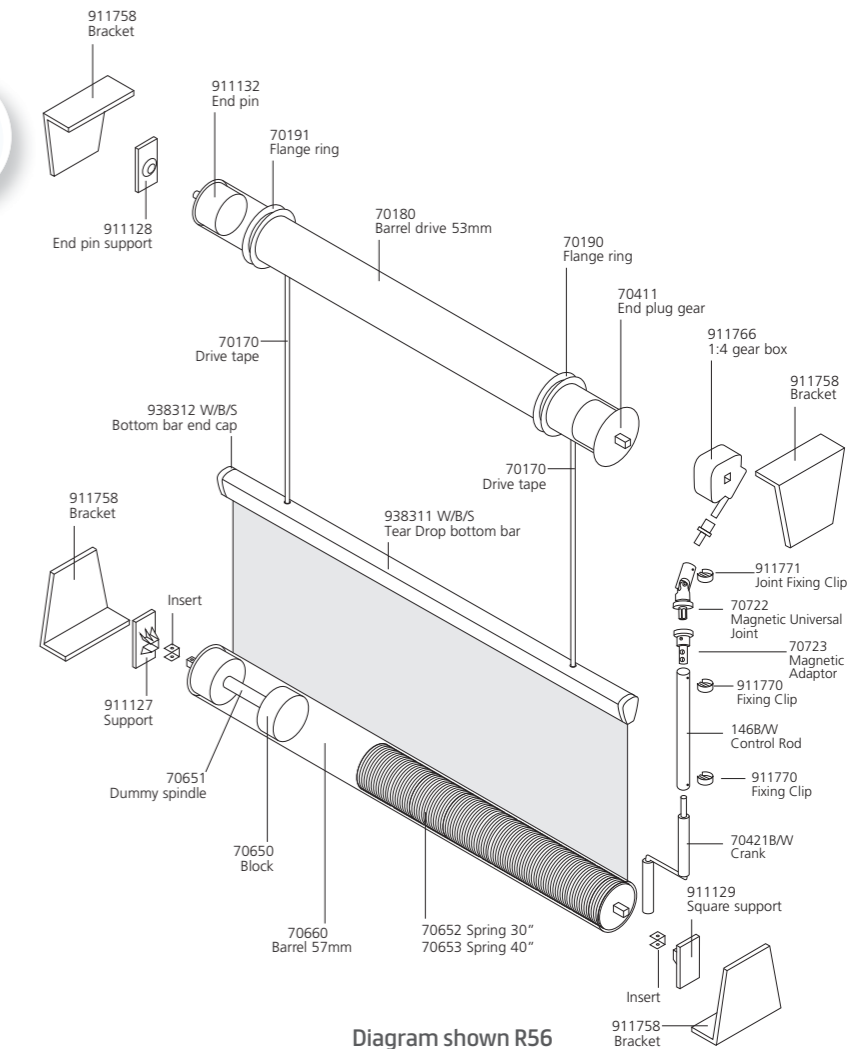


Diagram shown R56

Please refer to NBS Plus N10 240.

YewdaleDefiant® R57 electric operation overhead roller blind with 240v AC Somfy motor as manufactured by Yewdale, +44 (0)1268 570900. Flame retardant fabric from the YewdaleDefiant® range, on 57mm aluminium barrel with enclosed spring attached to white Tear Drop aluminium bottom bar as standard. 53mm drive barrel connected to electric motor operates blind by means of draw-tapes to the bottom bar. Supported by sturdy, attractive brackets.





## VPF Vision Panel Flap

### Features:

The YewdaleDefiant® vision panel flap with turn-button control as standard. White plastic turn-buttons to each corner secures the fabric privacy screen in place when in use. Fabric has stitched hems to top and bottom, and central turn-button at top for retaining when not in use.

### Benefits:

The YewdaleDefiant® Vision Panel Flaps offer a discreet screen on doors/windows without the need of mechanisms - especially important where there are space restrictions. These are seen as infection control friendly as they can be easily removed and replaced for cleaning purposes. Light seepage is kept to a minimum due to the closeness of fabric to the glass.

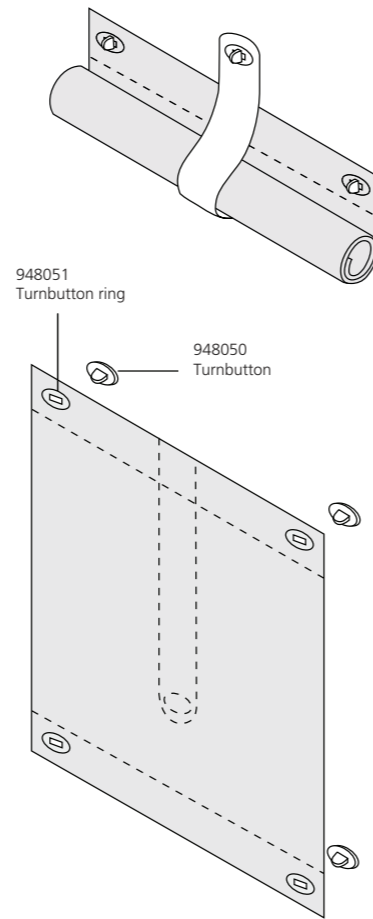
### Options:

Velcro strip bonded to top and bottom edges in place of turn-button and tag; Shaped panels.

### Specification:

YewdaleDefiant® Vision Panel Flap from flame retardant fabric as manufactured by Yewdale, +44 (0)1268 570900. Flame retardant fabric from the YewdaleDefiant® fabric range with stitched hems to top and bottom. Retained by turn-button tag control to each corner for effective screening.

Please refer to NBS Plus N10 240.



## Roller Blind Specification Guide

Code	Description	Min Width	Max Width	Max Drop	Max M <sup>2</sup>
R20	Sidewinder	200	3450	4250	6.5
R20C	Crank	200	3450	4250	6.5
R20S	Slow-rise Spring**	450	1850	2450	4.3
R25	Low Voltage Electric 24v DC	500	3000	3500	14.0
R26/25	Overhead Corded	500	1850	1850	3.5
R26/57	Overhead Corded	720	2500	3050	5.0
R29	Fascia	200	3400	3400	7.0
R40-36	Premium Sidewinder 36mm	200	2600	3600	6.5
R40-53	Premium Sidewinder 53mm	200	3450	4800	9.0
R40-70	Premium Sidewinder 70mm	200	4100	5700	11.5
R42	Spring Assisted Sidewinder	650	2600	2500	6.5
R54	Heavy Duty Crank	200	4000	3600	10.0
R55	Heavy Duty Electric 240v AC	590	4000	3600	10.0
R56	Overhead Crank	720	2500	2000	4.0
R57	Overhead Electric 240v AC	720	2500	2000	4.0

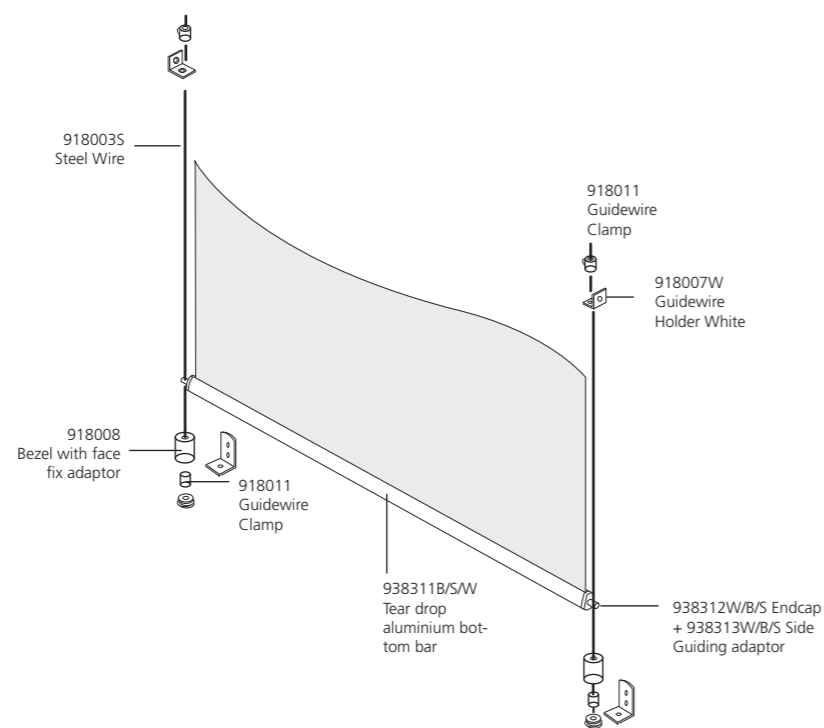
Based on fabric weight of 220g/m<sup>2</sup>, e.g. Thames. Use of heavier fabrics may require appropriate reductions.

\*\* Use of limit stop may require appropriate reductions.

## Wire Side-guiding System

### Features:

The YewdaleDefiant® wire side-guiding system was developed to ensure that roller blinds could be kept in a closed position regardless of the forces of gravity or movement of air around it. The rotatable bottom bar end-cap adaptor is held securely to the stainless steel wire, which provides the robust positioning mechanism; this, in turn, is held under tension by a metal bezel.



**have you seen our new range of fabrics?**

Find a matching option from the YewdaleDefiant® range. You'll find it easy to choose from, using one of our fabric selectors.



# YewdaleDefiant® Cassette Blinds & Blackout Units

All YewdaleDefiant® blinds are carefully built to exacting standards, giving years of trouble-free service. The superior design features and quality components enable them to be confidently specified for the most demanding environments.

Many YewdaleDefiant® blinds feature vandal-resistant controls and mechanisms, and are frequently to be seen in hospitals, schools, colleges and other public buildings, as well as the regular commercial and residential applications.

YewdaleDefiant® cassetted blinds give a smooth contemporary style to any window, and help to protect the blind fabric from dust or damage. The C4 cassettes offer a pleasing and modern alternative to standard roller blinds incorporating attractive aluminium side channels to complement the cassetted head-box. These help to retain the fabric in position, and will also give a degree of light exclusion when used in conjunction with blackout fabric. An alternative option without side channels is available in the form of the C2 cassette range.

The C7 blackout unit range offers you the ultimate in light exclusion providing exceptional performance of 100% light block where such criteria is stipulated. The full range is distributed globally through a network of dealers and customers providing an unrivalled level of support, and with experienced installation and service teams to exceed your expectations.

<b>C40 Sidewinder</b>	<b>19</b>
<b>C42 Slow-Rise Spring</b>	<b>20</b>
<b>C44 Crank</b>	<b>21</b>
<b>C45 Electric 24v</b>	<b>22</b>
<b>C65 Electric 240v</b>	<b>23</b>
<b>C74 Crank Blackout</b>	<b>24</b>
<b>C75 Electric Blackout</b>	<b>25</b>
<b>C76 Overhead Crank Blackout</b>	<b>26</b>
<b>C77 Overhead Electric Blackout</b>	<b>27</b>
<b>Blind Specification Guide</b>	<b>28</b>



this cassetted blind and blackout unit range comes with a full Lifetime Warranty as standard.



## C40 Sidewinder

### Features:

All of the YewdaleDefiant® C40 sidewinder cassetted blinds come with an enclosed aluminium head-box and side channels as standard. Cassette is designed for top or face fixing and accommodates 23, 36 or 53mm grooved aluminium barrels, depending on blind size and fabric weight. Fabric is locked into groove in barrel, and features aluminium bottom bar with pile seal. A strong, yet slim, 1:4 geared sidewinder mechanism provides the effective means of operation with the use of metal control chain. Studs fitted at edge of fabric to retain it within side channels. Black or white hardware as standard.

### Benefits:

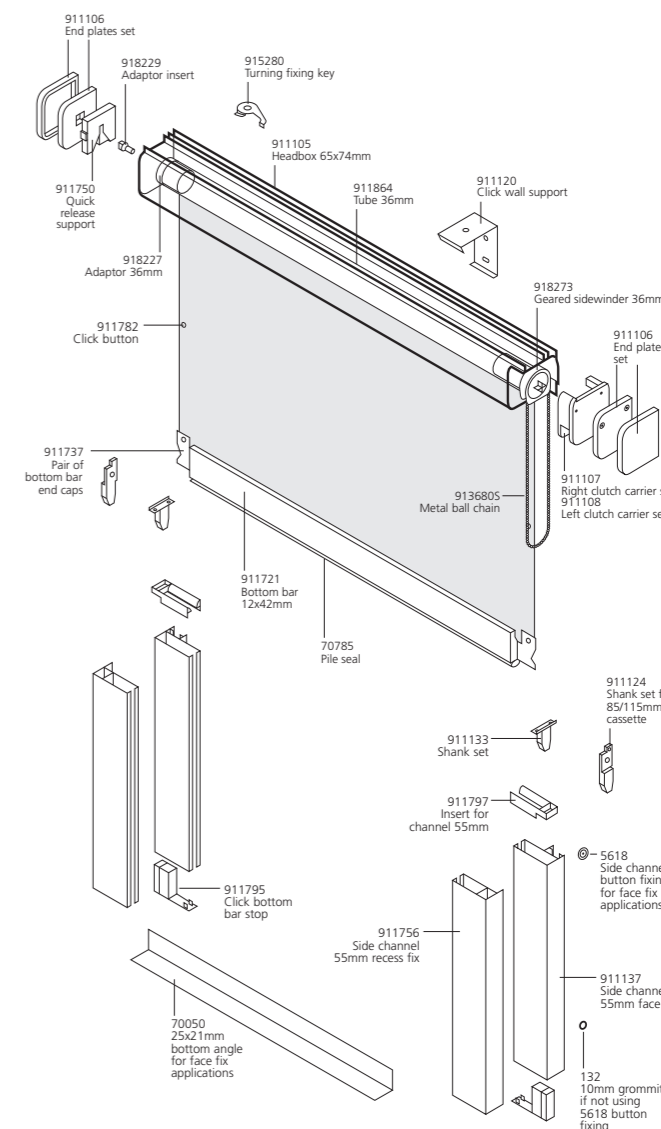
The excellent performance of a YewdaleDefiant® cassetted blind is further enhanced by the addition of side channels, giving positive and consistent location of the fabric and bottom bar, and provides light exclusion if blackout fabric is used. The entire range is offered as an aesthetically pleasing solution, protecting the fabric in the process. The quality sidewinder mechanisms are simple to operate and allow accurate control of blind position.

### Options:

Black or white hardware; Without side channels, C20-45/65/85/115; Tracker; Available in any RAL colour.

### Specification:

YewdaleDefiant® C40-45/65/85/115 cassetted blind with side channels as manufactured by Yewdale, +44 (0)1268 570900. Flame retardant fabric from the YewdaleDefiant® range, locked into grooved 23/36 /53mm aluminium barrel along with aluminium bottom bar as standard. Black/white aluminium cassette, side channels and bottom bar supported by study brackets and incorporating metal control chain. Or without side channels, YewdaleDefiant® C20-45/65/85/115 cassetted blind as manufactured by Yewdale, +44 (0)1268 570900. Flame retardant fabric from the YewdaleDefiant® range, locked into grooved 23/36/53mm aluminium barrel along with aluminium bottom bar as standard. Black/white aluminium cassette and bottom bar supported by study brackets and incorporating metal control chain.



Please refer to NBS Plus N10 240.

## Cassette Blind Profile Dimension Guide

Model	Cassette Size (HxD)	Barrel Size Ø	Side Channel Size (WxD)	End Plate
C40-45	45 x 51mm	23mm	55 x 40mm	Plastic
C40-65	65 x 74mm	36mm	55 x 40mm	Metal
C40-85	5 x 97mm	36mm	55 x 40mm	Metal
C40-115	115 x 132mm	53mm	55 x 40mm	Metal
C20-45	45 x 51mm	23mm	n/a	Plastic
C20-65	65 x 74mm	36mm	n/a	Metal
C20-85	85 x 97mm	36mm	n/a	Metal
C20-115	115 x 132mm	53mm	n/a	Metal

# YewdaleDefiant® Cassetted Blinds



## C42 Slow-rise Spring

### Features:

The YewdaleDefiant® C42 cassetted slow-rise spring roller blind with premium quality spring and decelerator ensures smooth and quiet operation. White universal brackets for face or top fixing with 23, 32 or 36mm grooved aluminium barrel, depending on blind size and fabric weight. Fabric is locked into groove in barrel, and features aluminium bottom bar with handle. Click stops to hold blind at closed position. Studs fitted at edge of fabric to retain it within side channels. Black or white hardware as standard.

### Benefits:

An attractive metal-framed blind with the added appeal of slow-rise technology. Generally used in dim-out applications with blackout fabric, or as an insect screen with mesh fabric, as it has no mid-point stopping positions. The slow-rise spring and decelerator mechanism is enclosed within the barrel.

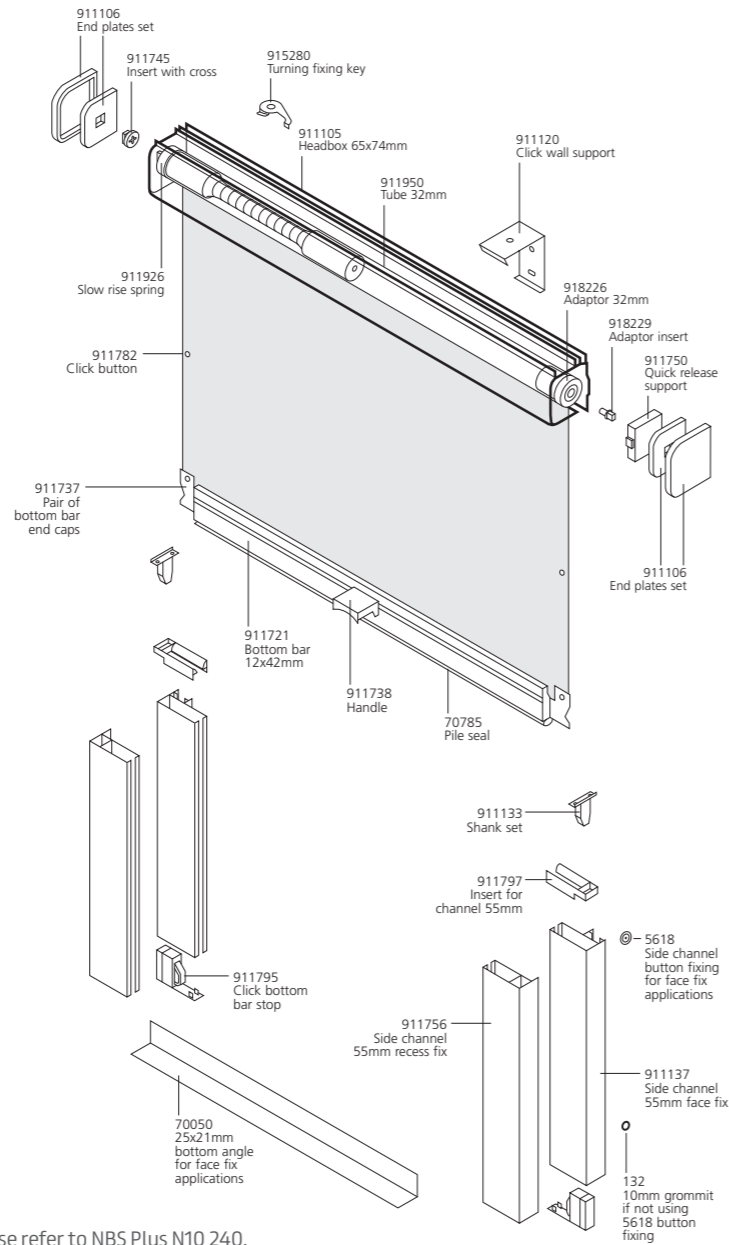
### Options:

Black or white hardware available in any RAL colour.

### Specification:

YewdaleDefiant® C42-45/65/85 slow-rise spring control cassetted blind with side channels as manufactured by Yewdale, +44 (0)1268 570900. Flame retardant fabric from the YewdaleDefiant® range, locked into grooved 23/32/36mm aluminium barrel along with aluminium bottom bar as standard. Vandal resistant slow-rise spring and spring end housed within black/white aluminium cassette, side channels and bottom bar supported by study brackets.

Or without side channels, YewdaleDefiant® C22-45/65/85 slow-rise spring control cassetted blind as manufactured by Yewdale, +44 (0)1268 570900. Flame retardant fabric from the YewdaleDefiant® range, locked into grooved 23/32/36mm aluminium barrel along with aluminium bottom bar as standard. Vandal resistant slow-rise spring and spring end housed within black/white aluminium cassette, supported by study brackets.



Please refer to NBS Plus N10 240.

## Cassetted Blind Profile Dimension Guide

Model	Cassette Size (HxD)	Barrel Size Ø	Side Channel Size (WxD)	End Plate
C42-45	45 x 51mm	23mm	55 x 40mm	Plastic
C42-65	65 x 74mm	36mm	55 x 40mm	Metal
C42-85	85 x 97mm	36mm	55 x 40mm	Metal
C22-45	45 x 51mm	23mm	n/a	Plastic
C22-65	65 x 74mm	36mm	n/a	Metal
C22-85	85 x 97mm	36mm	n/a	Metal



## C44 Crank

### Features:

The YewdaleDefiant® C44 crank control cassetted blind features a compact, robust 1:4\* gear mechanism operated by a fixed crank handle. White universal brackets for face or top fixing with 36 or 53mm grooved aluminium barrel, depending on blind size and fabric weight. Fabric is locked into groove in barrel with studs fitted at edge of fabric to retain it within side channels. Aluminium bottom bar. Black or white hardware as standard. \*Model C44-65 incorporates 1:2 crank gear ratio.

### Benefits:

Durability and simplicity make the C44 a good choice for a vast range of applications. With its aluminium side channels and powerful gear controls it will perform dependably in all kinds of contract applications. The geared crank handle and mechanism ensures smooth blind control and is safer for areas where cords are a threat. The optional detachable crank gives the added advantage of secure control if required. Fabric locked into the barrel and bottom bar and supported by sturdy supports.

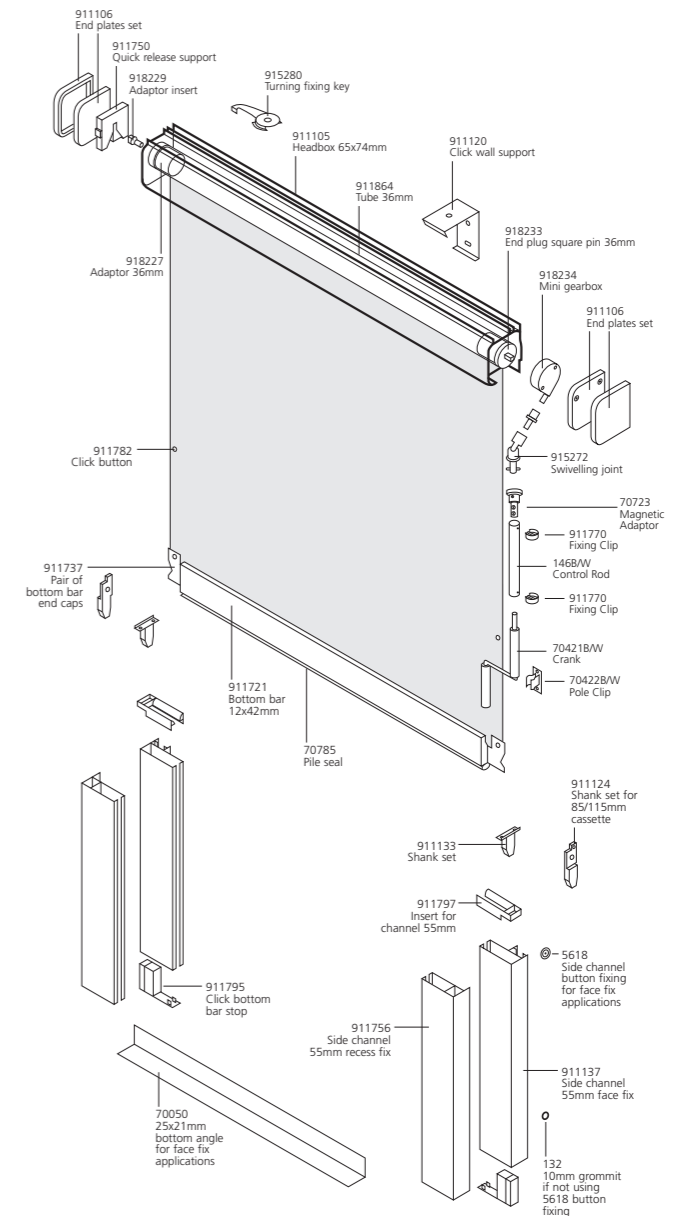
### Options:

Black or white hardware; Detachable crank handle; Tracker; Available in any RAL colour.

### Specification:

The YewdaleDefiant® C44-65/85/115 crank control cassetted blind with side channels as manufactured by Yewdale, +44 (0)1268 570900. Flame retardant fabric from the YewdaleDefiant® range, locked into grooved 36/53mm aluminium barrel along with aluminium bottom bar as standard. Robust vandal resistant 1:4\* crank mechanism and pin end housed within black/white aluminium cassette, side channels and bottom bar supported by study brackets.

Or without side channels, YewdaleDefiant® C24-65/85/115 crank control cassetted blind as manufactured by Yewdale, +44 (0)1268 570900. Flame retardant fabric from the YewdaleDefiant® range, locked into grooved 36/53mm aluminium barrel along with aluminium bottom bar as standard. Robust vandal resistant 1:4\* crank mechanism and pin end housed within black/white aluminium cassette, supported by study brackets.



Please refer to NBS Plus N10 240.

## Cassetted Blind Profile Dimension Guide

Model	Gear Ratio	Cassette Size	Barrel Size	Side Channel Size	End Plate
C44-65	1:2	65 x 74mm	36mm	55 x 40mm	Metal
C44-85	1:4	85 x 97mm	53mm	55 x 40mm	Metal
C44-115	1:4	115 x 132mm	53mm	55 x 40mm	Metal
C24-65	1:2	65 x 74mm	36mm	n/a	Metal
C24-85	1:4	85 x 97mm	53mm	n/a	Metal
C24-115	1:4	115 x 132mm	53mm	n/a	Metal

# YewdaleDefiant® Cassetted Blinds

YewdaleDefiant® Cassetted Blinds



## C45 Electric 24v

### Features:

The YewdaleDefiant® C45 electric cassetted blind with side channels features a low voltage Somfy motor as standard. White universal brackets for face or top fixing with 28mm grooved aluminium barrel, housing the 24v DC Somfy motor. The motor is controlled by a switch/transformer which may be surface or flush mounted. Fabric is locked into groove in barrel with studs fitted at edge of fabric to retain it within side channels. Aluminium bottom bar. Black or white hardware as standard.

### Benefits:

Fingertip control and a slim yet sturdy aluminium frame help this blind to lend an air of luxury to any environment and makes the C45 a perfect choice for motorised requirements. It's quiet and reliable motor is housed within the barrel and supported by sturdy, metal brackets.

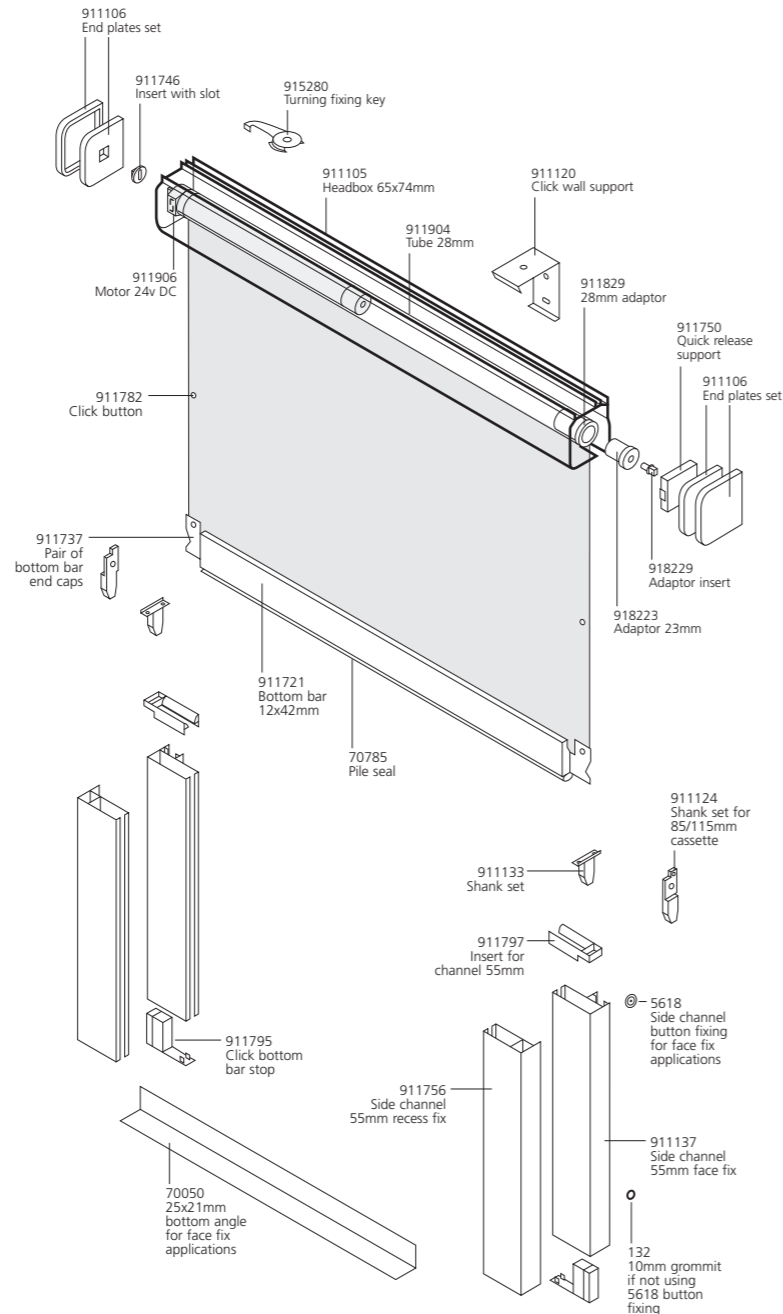
### Options:

Black or white hardware; Remote and/or group control systems in place of single switch; Tracker; Available in any RAL colour.

### Specification:

The YewdaleDefiant® C45-65/85 low voltage electric cassetted blind with side channels as manufactured by Yewdale, +44(0)1268 570900. Flame retardant fabric from the YewdaleDefiant® range, locked into grooved 28mm aluminium barrel along with aluminium bottom bar as standard. Low voltage 24v DC Somfy motor is housed within black/white aluminium cassette, side channels and bottom bar supported by study brackets.

Or without side channels, YewdaleDefiant® C25-65/85 low voltage electric cassetted blind as manufactured by Yewdale, +44(0)1268 570900. Flame retardant fabric from the YewdaleDefiant® range, locked into grooved 28mm aluminium barrel along with aluminium bottom bar as standard. Low voltage 24v DC Somfy motor is housed within black/white aluminium cassette, supported by study brackets.



Please refer to NBS Plus N10 240.

## Cassetted Blind Profile Dimension Guide

Model	Cassette Size (HxD)	Barrel Size Ø	Side Channel Size (WxD)	End Plate
C45-65	65 x 74mm	28mm	55 x 40mm	Metal
C45-85	85 x 97mm	28mm	55 x 40mm	Metal
C25-65	65 x 74mm	28mm	n/a	Metal
C25-85	85 x 97mm	28mm	n/a	Metal



## C65 Electric 240v

### Features:

The YewdaleDefiant® C65 electric cassetted blind with side channels features a Somfy motor as standard. White universal brackets for face or top fixing with 53mm grooved aluminium barrel, housing a 240v AC Somfy motor. The motor is controlled by a switch/transformer which may be surface or flush mounted. Fabric is locked into groove in barrel with studs fitted at edge of fabric to retain it within side channels. Aluminium bottom bar. Black or white hardware as standard.

### Benefits:

The C65 offers a premium electric operated cassetted blind for situations where durability and functionality are required. It's quiet and reliable motor is housed within the barrel and further protected by the robust aluminium head-box housing. The fabric is locked into barrel and bottom bar and will give years of trouble-free use. It is located in the groove in such a way that, although it cannot be pulled out it may be slid out sideways for easy repair or replacement of blind cover.

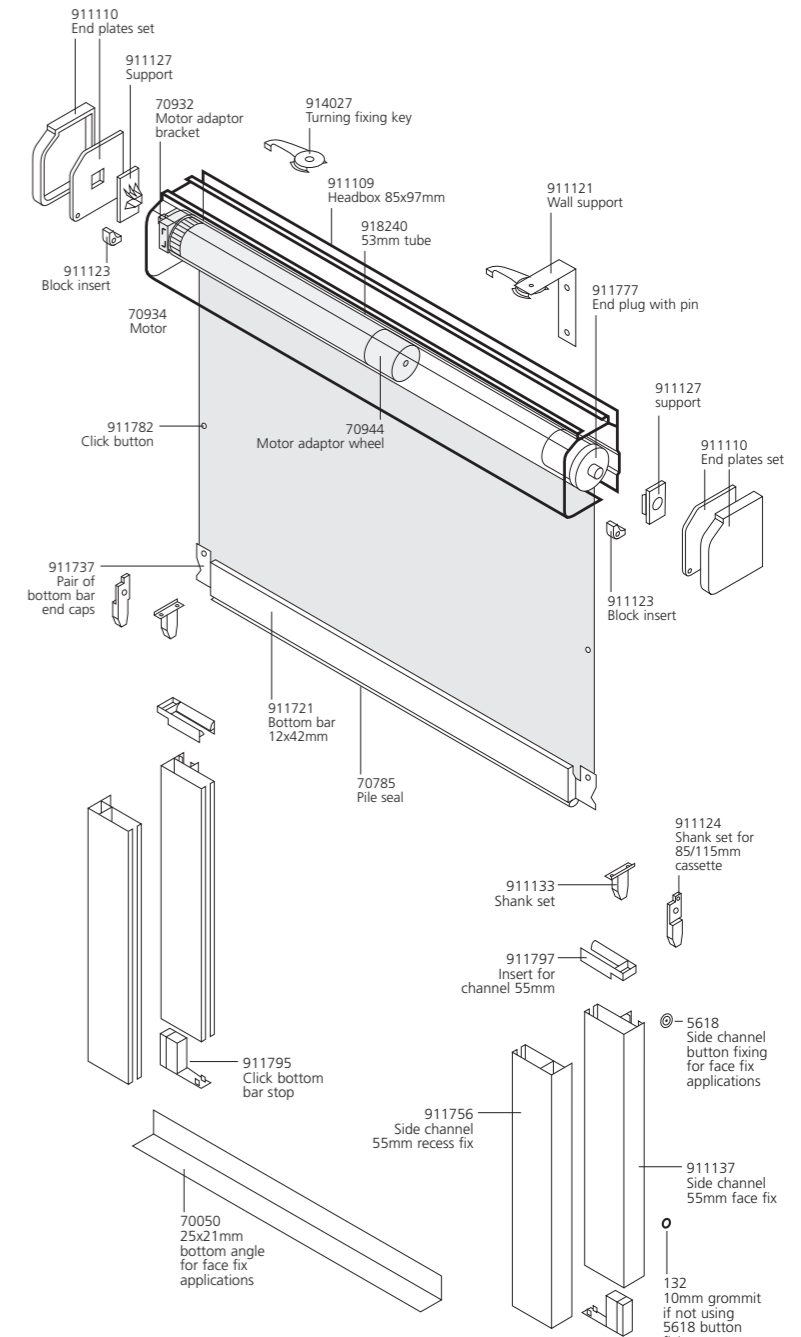
### Options:

Black or white hardware; Remote and/or group control systems in place of single switch; Tracker; Available in any RAL colour.

### Specification:

The YewdaleDefiant® C65-85/115 electric cassetted blind with side channels as manufactured by Yewdale, +44 (0)1268 570900. Flame retardant fabric from the YewdaleDefiant® range, locked into grooved 53mm aluminium barrel along with aluminium bottom bar as standard. 240v AC Somfy motor is housed within black/white aluminium cassette, side channels and bottom bar supported by study brackets.

Or without side channels, YewdaleDefiant® C55-85/115 electric cassetted blind as manufactured by Yewdale, +44 (0)1268 570900. Flame retardant fabric from the YewdaleDefiant® range, locked into grooved 53mm aluminium barrel along with aluminium bottom bar as standard. 240v AC Somfy motor is housed within black/white aluminium cassette, supported by sturdy brackets.



Please refer to NBS Plus N10 240.

## Cassetted Blind Profile Dimension Guide

Model	Cassette Size (HxD)	Barrel Size Ø	Side Channel Size (WxD)	End Plate
C65-85	85 x 97mm	53mm	55 x 40mm	Metal
C65-115	115 x 132mm	53mm	55 x 40mm	Metal
C55-85	85 x 97mm	53mm	n/a	Metal
C55-115	115 x 132mm	53mm	n/a	Metal



## C74 Crank Blackout

### Features:

The YewdaleDefiant® C74 crank control blackout unit features a heavy duty 1:5 gear mechanism operated by a magnetic detachable crank handle. All hardware in black powder-coated aluminium, with moulded black plastic fittings, for face or recess fixing and encloses 53mm grooved aluminium barrel. Heavy-duty gear mechanism at right, controlled by fixed crank handle. Blackout fabric, with heavy-duty bottom bar, is locked into groove in barrel and runs in 75mm side channels. Slim bottom channel for positive attachment to side channels. Light-transfer baffles within side and bottom channels, and side channels and head-box fitted with pile-seal light sealing.

### Benefits:

The C74 is the blackout unit of choice for many contract applications. Offering 100% blackout properties, it is simple to operate and very strong, covering large windows with ease. It is in use in many schools and hospitals where dependability is an essential requirement, but its sleek, good looks are at home wherever high performance light exclusion is called for.

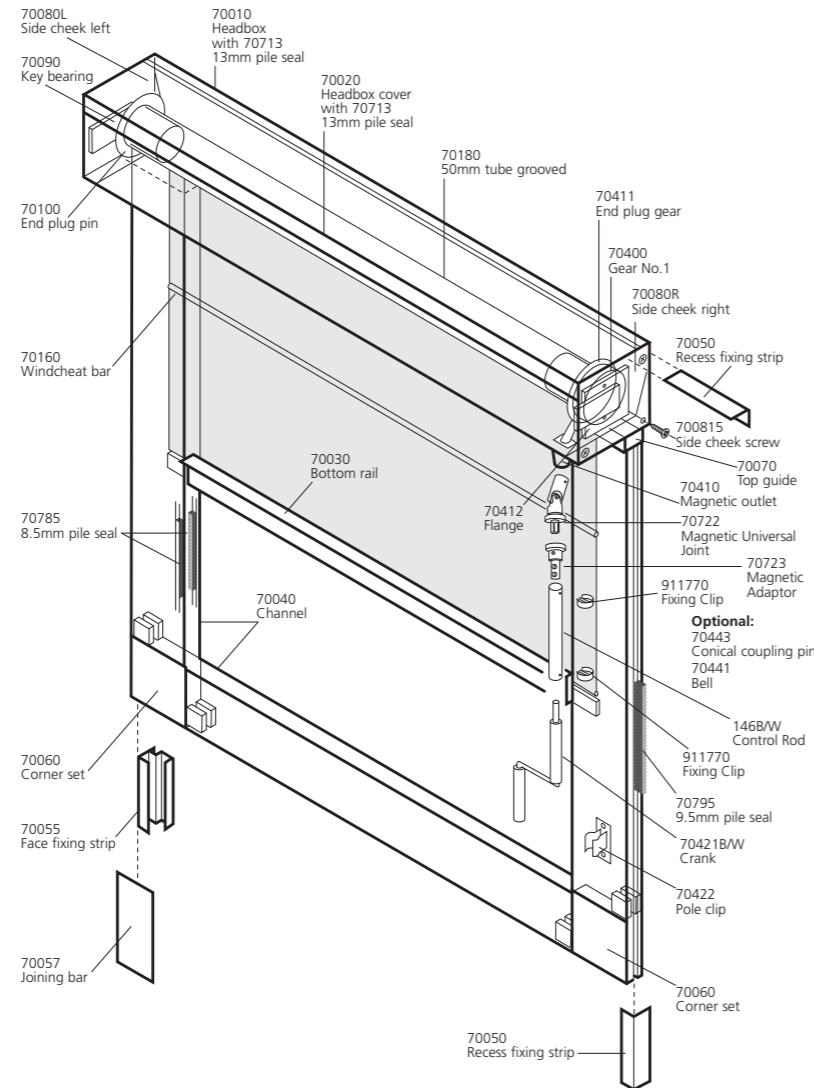
### Options:

White hardware; No bottom channel, with bottom bar running down to sill; Fixed crank handle; Available in any RAL colour.

### Specification:

The YewdaleDefiant® C74 crank control 100% blackout unit with magnetic detachable crank handle as manufactured by Yewdale, +44 (0)1268 570900. Flame retardant blackout fabric from the YewdaleDefiant® range, locked into grooved 53mm aluminium barrel along with aluminium bottom rail as standard. Heavy duty 1:5 geared crank mechanism is housed within black/white powder-coated aluminium head-box cassette, side and bottom channels and bottom bar supported by study brackets.

Please refer to NBS Plus N10 240.



## Blackout Unit Profile Dimension Guide

Model	Cassette Size (HxD)	Barrel Size Ø	Side Channel Size (WxD)	Side cheek
C74	100 x 100mm	53mm	75 x 40mm	Metal



## C75 Electric Blackout

### Features:

The YewdaleDefiant® C75 electric blackout unit features a Somfy motor as standard. All hardware in black powder-coated aluminium, with moulded black plastic fittings, for face or recess fixing and encloses 53mm grooved aluminium barrel. Heavy duty gear mechanism at right, controlled by 240v AC Somfy motor. Blackout fabric, with heavy-duty bottom bar, is locked into groove in barrel and runs in 75mm side channels. Slim bottom channel for positive attachment to side channels. Light-transfer baffles within side and bottom channels, and side channels and head-box fitted with pile-seal light sealing.

### Benefits:

The C75 is a premium 100% blackout unit with the luxury of fingertip electrical control. It's quiet and reliable motor is housed within the barrel and supported by sturdy, aluminium cassette system. With the RF or infrared remote, and/or group control option, almost any control configuration can be achieved.

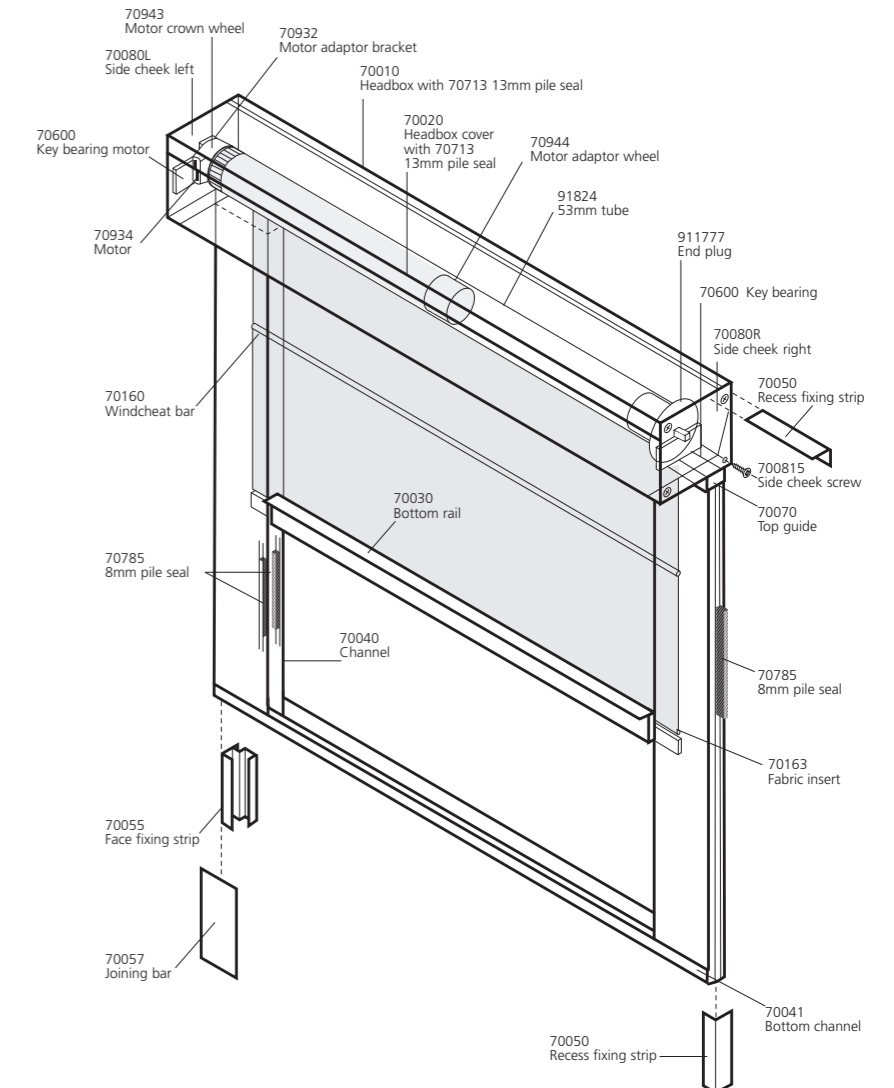
### Options:

White hardware; No bottom channel, with bottom bar running down to sill; Remote and/or group control systems; Available in any RAL colour.

### Specification:

The YewdaleDefiant® C75 electric 100% blackout unit with 240v AC Somfy motor as manufactured by Yewdale, +44 (0)1268 570900. Flame retardant blackout fabric from the YewdaleDefiant® range, locked into grooved 53mm aluminium barrel along with aluminium bottom rail as standard. 240v AC Somfy motor housed within black/white powder-coated aluminium head-box cassette, side and bottom channels and bottom bar.

Please refer to NBS Plus N10 240.



## Blackout Unit Profile Dimension Guide

Model	Cassette Size (HxD)	Barrel Size Ø	Side Channel Size (WxD)	Side cheek
C75	100 x 100mm	53mm	75 x 40mm	Metal



## C76 Overhead Crank

### Features:

The YewdaleDefiant® C76 crank operation overhead blackout unit. All hardware in black powder-coated aluminium for face or recess fixing and enclosing 53 and 57mm grooved aluminium barrels. Blackout fabric is locked into groove in barrel and runs in 75mm side channels. Light-transfer baffles within side and bottom channels, and side channels and head-box fitted with pile-seal light sealing. Fabric is mounted onto a sprung 57mm aluminium barrel whilst at the other end it is fitted to an aluminium bottom rail, attached to two draw tapes. These tapes are attached, between flanged guides, to the 53mm drive barrel, operated by heavy duty 1:5 gear control mechanism and magnetic detachable crank handle.

### Benefits:

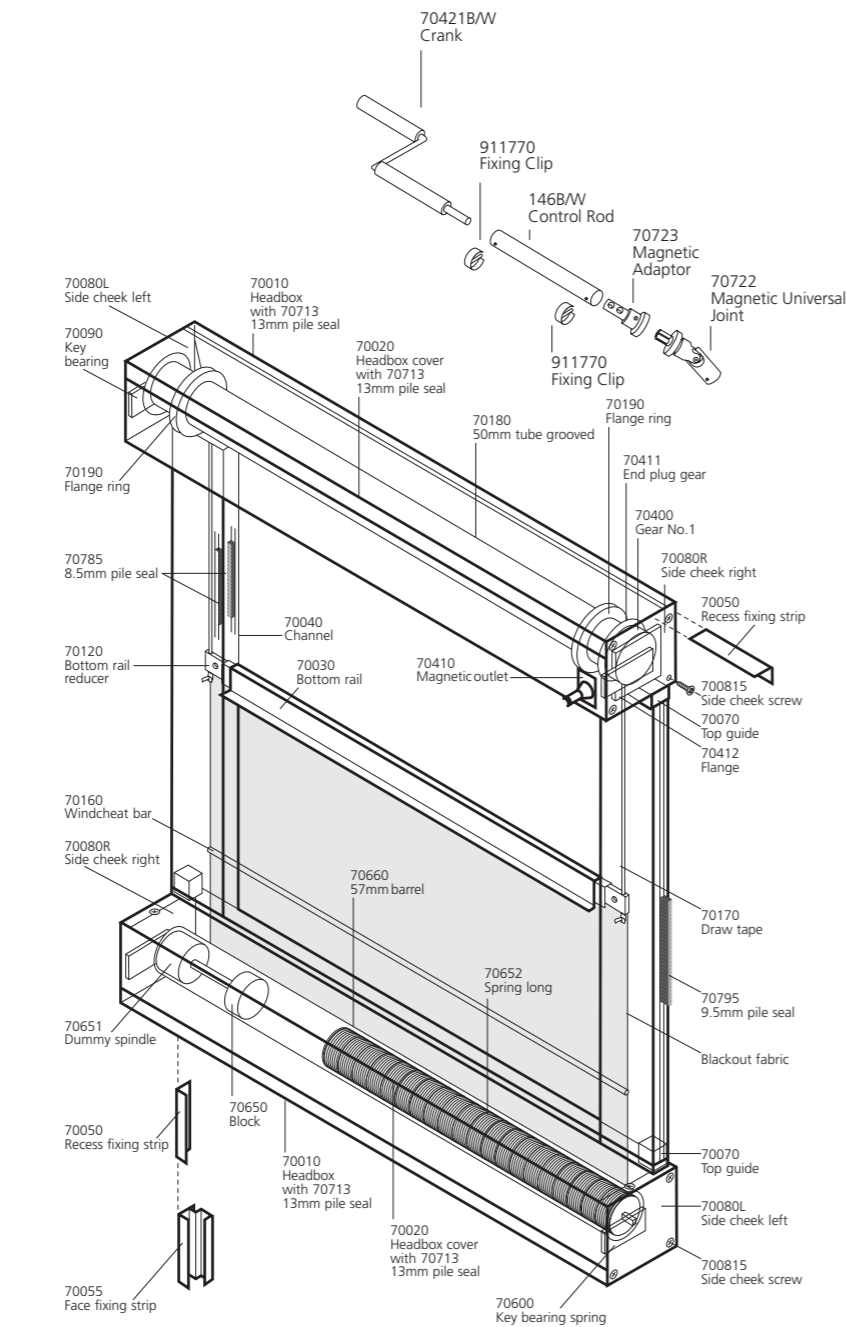
The C76 blackout unit is the ultimate in choice for 100% light exclusion requirements for sloping or horizontal roof windows. With heavy duty componentry and tensioning action by powerful spring to the fabric roller, these blinds may be confidently specified for awkward or inaccessible locations. The magnetic detachable crank handle removes the common issues associated with locating the drive at height and solves the problem of unauthorised use.

### Options:

White hardware; Fixed crank handle; Available in any RAL colour.

### Specification:

The YewdaleDefiant® C76 crank overhead blackout unit with 1:5 geared crank as manufactured by Yewdale, +44 (0)1268 570900. Flame retardant blackout fabric from the YewdaleDefiant® range, on 57mm aluminium barrel with enclosed spring attached to aluminium bottom rail as standard. 53mm drive barrel connected to gear control crank mechanism operates blind by means of draw-tapes to the bottom bar. Black/white powder-coated aluminium headbox cassettes, side and bottom channels and bottom bar. Incorporating detachable crank handle.



Please refer to NBS Plus N10 240.

## Blackout Unit Profile Dimension Guide

Model	Cassette Size (HxD)	Barrel Size Ø	Side Channel Size (WxD)	Side cheek
C76	100 x 100mm	53 & 57mm	75 x 40mm	Metal



## C77 Overhead Electric

### Features:

The YewdaleDefiant® C77 electric overhead blackout unit with a Somfy motor. All hardware in black powder-coated aluminium for face or recess fixing and enclosing 53 and 57mm grooved aluminium barrels. Blackout fabric, with heavy duty bottom rail, is locked into groove in barrel and runs in 75mm side channels. Light-transfer baffles within side and bottom channels, and side channels and head-box fitted with pile-seal for light sealing. Fabric is mounted onto a sprung 57mm aluminium barrel whilst at the other end it is fitted to an aluminium bottom rail, attached to two draw tapes. These tapes are attached, between flanged guides, to the 53mm drive barrel, operated by a 240v AC Somfy motor.

### Benefits:

The C77 blackout unit is the ultimate in choice for 100% light exclusion requirements for sloping or horizontal roof windows when an electrically operated solution is looked for. With heavy duty componentry and tensioning action by powerful spring to the fabric roller, these blinds may be confidently specified for awkward or inaccessible locations. The 240v AC Somfy motor, which provides the luxury of reliable electrical fingertip control, is housed within the barrel and supported by sturdy, aluminium cassette system.

### Options:

White hardware; Remote and/or group control systems; Available in any RAL colour.

### Specification:

The YewdaleDefiant® C77 electric overhead blackout unit with 240v AC Somfy motor as manufactured by Yewdale, +44 (0)1268 570900. Flame retardant blackout fabric from the YewdaleDefiant® range, on 57mm aluminium barrel with enclosed spring attached to aluminium bottom rail as standard. 53mm drive barrel connected to gear control crank mechanism operates blind by means of draw-tapes to the bottom bar. Black/white powder-coated aluminium headbox cassettes, side and bottom channels and bottom bar. Incorporating 240v AC Somfy motor.



Please refer to NBS Plus N10 240.

## Blackout Unit Profile Dimension Guide

Model	Cassette Size (HxD)	Barrel Size Ø	Side Channel Size (WxD)	Side cheek
C77	100 x 100mm	53 & 57mm	75 x 40mm	Metal

## Cassetted Blind Specification Guide

Cassetted blinds	Min Width	Max Width	Max Drop	Max M <sup>2</sup>	Cassetted blinds	Min Width	Max Width	Max Drop	Max M <sup>2</sup>
C20-45 Sidewinder	300	1200	1700	2.0	C40-45 Sidewinder	300	1200	1200	1.5
C20-65 Sidewinder	300	2000	2500	5.0	C40-65 Sidewinder	300	2000	1700	3.5
C20-85 Sidewinder	300	2300	3000	6.0	C40-85 Sidewinder	300	2300	2300	5.2
C20-115 Sidewinder	300	4000	4000	10.0	C40-115 Sidewinder	300	4000	3600	10.0
C22-45 Slow-rise Spring	400	1200	1700	2.0	C42-45 Slow-rise Spring	400	1200	1200	1.5
C22-65 Slow-rise Spring	500	2000	2500	5.0	C42-65 Slow-rise Spring	500	2000	1700	3.5
C22-85 Slow-rise Spring	500	2300	3000	6.0	C42-85 Slow-rise Spring	500	2300	2300	5.2
C24-65 Crank	400	2600	2000	5.2	C44-65 Crank	400	2600	1700	4.4
C24-85 Crank	400	2600	3000	7.5	C44-85 Crank	400	2600	2300	6.0
C24-115 Crank	400	4000	4000	11.0	C44-115 Crank	400	4000	3600	11.0
C25-65 Electric 24v DC	500	2000	2600	5.2	C45-65 Electric 24v DC	500	2000	2000	4.0
C25-85 Electric 24v DC	500	2000	3000	6.0	C45-85 Electric 24v DC	500	2000	2600	5.2
C55-85 Electric 240v AC	700	2600	3000	7.8	C65-85 Electric 240v AC	700	2600	2600	6.5
C55-115 Electric 240v AC	700	4000	4000	14.0	C65-115 Electric 240v AC	700	4000	3600	12.0

\*Based on fabric weight of 400g/m<sup>2</sup> e.g. Dart. Larger sizes may be possible with lighter/thinner fabrics

## Blackout Unit Specification Guide

Blackout units	Min Width	Max Width	Max Drop	Max M <sup>2</sup>
C74 Crank Blackout Unit	200	3600	3600	9.0
C75 Electric Blackout Unit	700	3600	3600	10.8
C76 Overhead - Crank Blackout Unit	720	2000	2600	4.2
C77 Overhead - Electric Blackout Unit	720	2000	2600	4.2

\*Based on fabric weight of 400g/m<sup>2</sup> e.g. Dart. Larger sizes may be possible with lighter/thinner fabrics



## Laser Blinds For Operating Theatres

### Features:

The YewdaleDefiant® Laser Material provides protection from stray laser radiation and is available on a full spectrum of YewdaleDefiant® roller blinds. Designed to be used as passive guards in all areas where Class 3B or Class 4 lasers are regularly in use, the material is certified to EN 60824 -4 (Safety of Laser Products Part 4: Laser Guards) and is fire proof.

### Benefits:

Available on a full range of YewdaleDefiant® roller blind systems to ensure there is a solution to virtually all laser blocking requirements. All blinds are made to measure. Recommended systems are detailed below: R20; R20C; R40; R55; VPF; C74; C75.

### Options:

Laser fabric available in blue or black; Suitable for chain, crank, and electric operation; Suitable for vision panel flaps.

### Specification:

YewdaleDefiant® Laser Material products for protection from stray laser radiation as manufactured by Yewdale, +44 (0)1268 570900. Flame retardant fabric from YewdaleDefiant® laser fabric range, certified to EN60824-4 (Safety of Laser Products Part 4: Laser Guards).

Please refer to NBS Plus N10 240.



## YewdaleDefiant® Insect Screens

All YewdaleDefiant® insect screens are carefully built to exacting standards, giving years of trouble-free service. The superior design features and quality components enable them to be confidently specified for the most demanding environments.

The greatly enhanced interior environment provided by YewdaleDefiant® screens is an important contributor to the quality of life in many situations, both residential and commercial. The screens are unobtrusive, with simple and attractive detailing and quality components. The full range is distributed globally through a network of dealers and customers, providing an unrivalled level of support, and with experienced installation and service teams to exceed your expectations.

<b>F30 Sidewinder</b>	<b>31</b>
<b>F32 Spring</b>	<b>32</b>
<b>F40 / F40D Single/Double Door</b>	<b>33</b>

The provision of insect screens at door and window openings is a legal requirement in areas where food is prepared for public consumption, such as restaurants, works canteens, schools, hospitals and all public buildings. YewdaleDefiant® screens comply with the relevant Health and Safety regulations, and all frame sections are manufactured from hygienic white powder-coated aluminium extrusions. The PVC coated glass fibre mesh is rot-proof and flame-retardant.



this insect screen range comes with a Full Lifetime Warranty as standard.



### F30 Sidewinder

**Features:**

The YewdaleDefiant® F30 retractable insect screen utilises a simple bead-chain sidewinder control as standard. White metal universal brackets for secure top fixing with powder-coated extruded aluminium cassette and side guide channels. Rot-proof PVC coated fibreglass mesh is locked into the barrel and bottom bar profile.

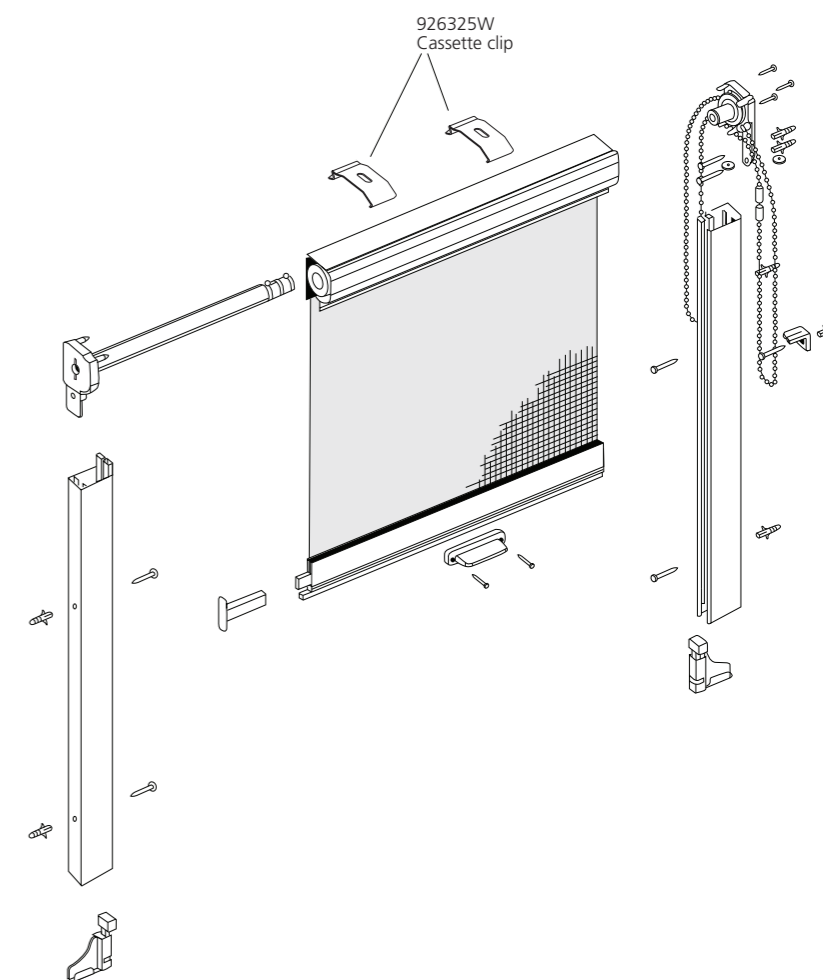
**Benefits:**

The discreet yet attractive profile of the F30 roll-up system provides a perfect solution for almost all types of window or door openings. A strong focus on a trouble-free quality mechanism with high-grade nylon fittings ensures consistency of operation.

**Specification:**

The YewdaleDefiant® F30 retractable insect screen with sidewinder operation as manufactured by Yewdale, +44 (0)1268 570900. Roll-up flame retardant, rot-proof PVC coated fibreglass mesh within white powder-coated aluminium cassette, guide channels and bottom bar. Supported by sturdy metal brackets and incorporating plastic control chain.

Please refer to NBS Plus N10 240.



### Insect Screen Specification Guide

Model	Min Width	Max Width	Min Drop	Max Drop	Max M <sup>2</sup>
F30	800	1600	400	2500	3.5





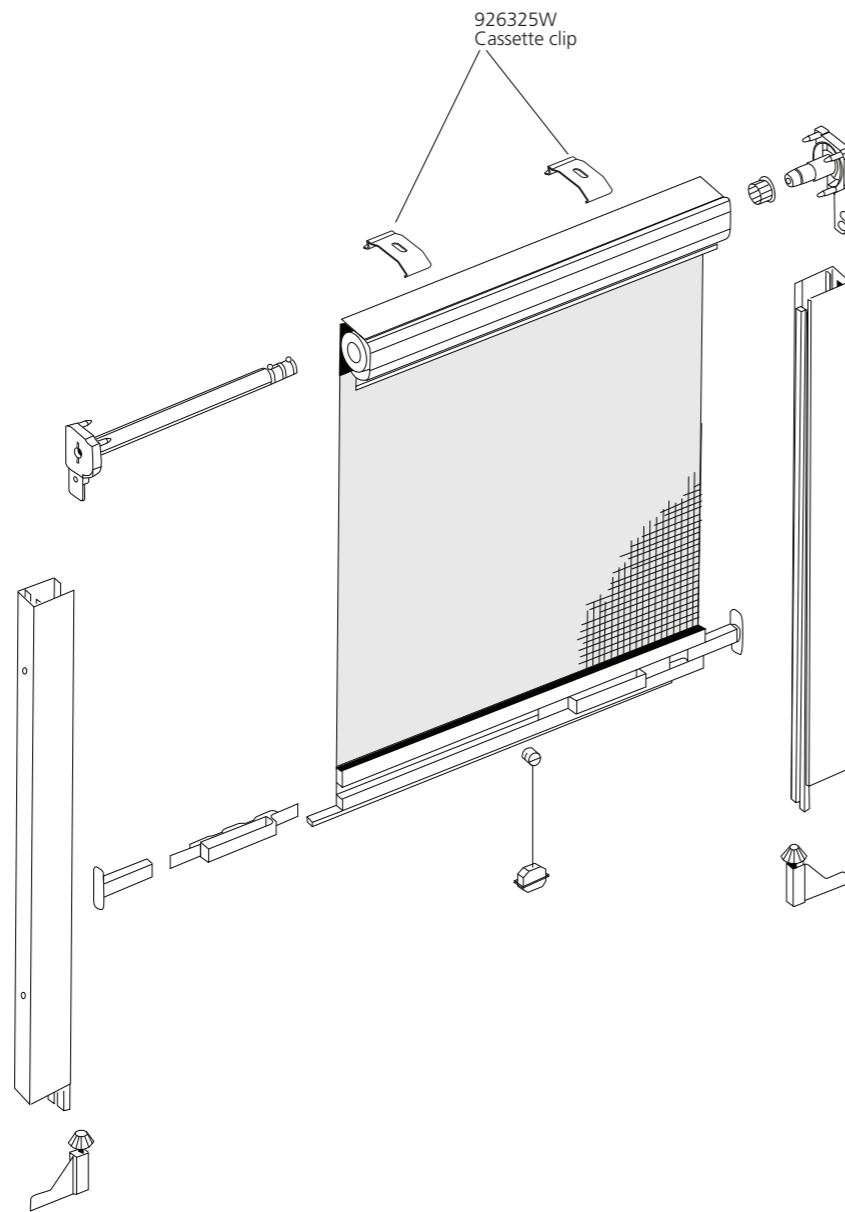
## F32 Spring

**Features:**  
The YewdaleDefiant® F32 retractable insect screen with advanced slow-rise spring control ensures smooth and quiet operation. White metal universal brackets for secure top fixing with powder-coated extruded aluminium cassette and side guide channels. Rot-proof PVC coated fibreglass mesh is locked into the barrel and bottom bar profile.

**Benefits:**  
The discreet yet attractive profile of the F32 roll-up system will complement the décor of many interiors. Coupled with the ease of the advanced spring operation, this system is perfectly suited to a wide range of both commercial and domestic applications. A strong focus on a trouble-free quality mechanism with high-grade nylon fittings ensures consistency of performance.

**Specification:**  
The YewdaleDefiant® F32 retractable insect screen with advanced slow-rise spring operation as manufactured by Yewdale, +44 (0)1268 570900. Vandal resistant spring and decelerator mechanism is housed within white powder-coated aluminium cassette. Roll-up flame retardant, rot-proof PVC coated fibreglass mesh held securely inside guide channels and bottom bar. Supported by sturdy metal brackets.

Please refer to NBS Plus N10 240.



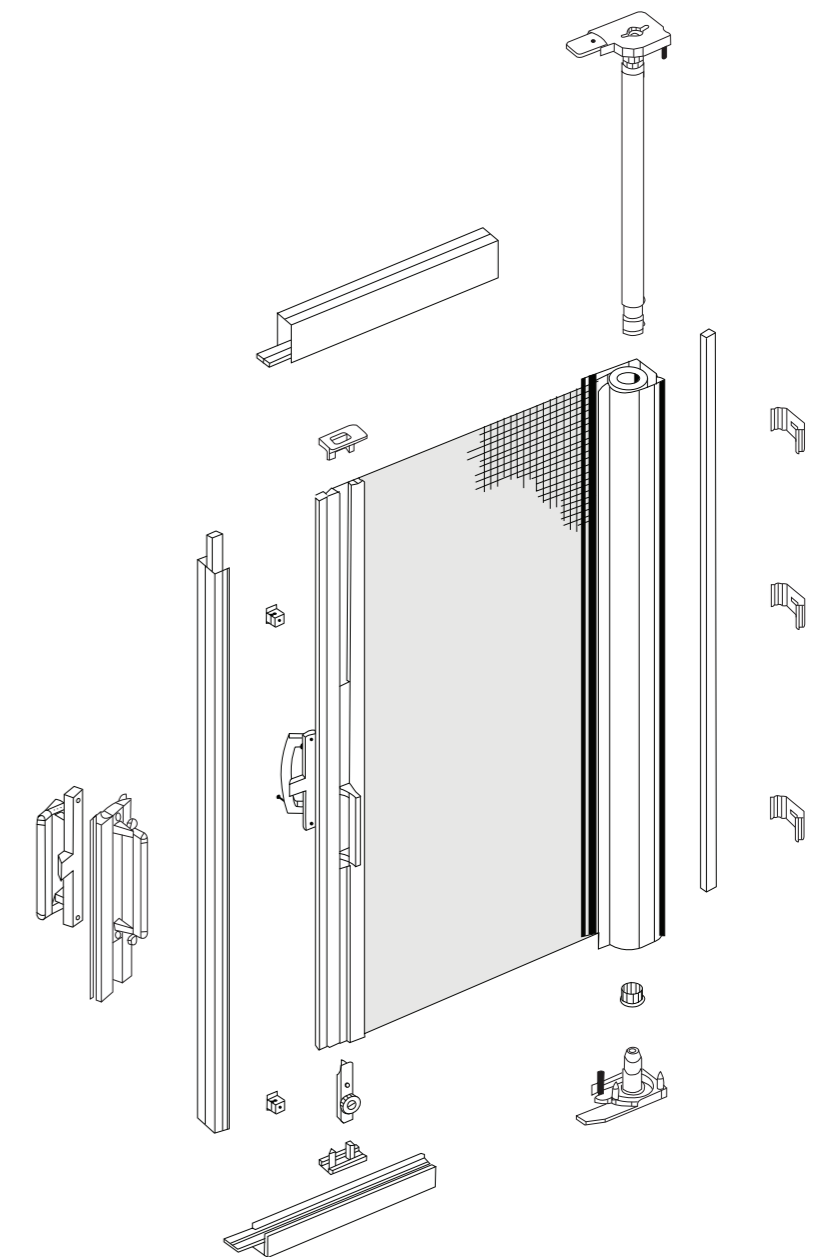
## F40 Single Door F40D Double Door

**Features:**  
The YewdaleDefiant® F40 horizontally retractable insect screen with advanced slow-rise spring control ensures smooth and quiet operation. Available as single door unit (F40) or double door unit (F40D) as applicable. White metal universal brackets for secure top fixing with powder-coated extruded aluminium cassette and side guide channels. Rot-proof PVC coated fibreglass mesh is locked into the barrel and bottom bar profile.

**Benefits:**  
The slim, unobtrusive profile of the F40 roll-up system provides a suitable solution for doorways and large window openings in areas where food preparation is carried out. The 43mm cassette units will complement the décor of many interiors and the advanced spring operation ensures a reliable, consistency of use.

**Specification:**  
The YewdaleDefiant® F40/F40D horizontally retractable single/double insect screen unit with advanced slow-rise spring operation as manufactured by Yewdale, +44 (0)1268 570900. Vandal resistant spring and decelerator mechanism is housed within white powder-coated aluminium cassette. Roll-up flame retardant, rot-proof PVC coated fibreglass mesh held securely inside guide channels and bottom bar. Supported by sturdy metal brackets.

Please refer to NBS Plus N10 240.



## Insect Screen Specification Guide

Model	Min Width	Max Width	Min Drop	Max Drop	Max M <sup>2</sup>
F32	600	1800	400	2500	3.5

## Insect Screen Specification Guide

Model	Min Width	Max Width	Min Drop	Max Drop	Max M <sup>2</sup>
F40	400	1200	1000	2500	3.0
F40D	800	2500	1000	2500	6.0



## YewdaleDefiant® Vertical Blinds

All YewdaleDefiant®blinds are carefully built to exacting standards, to give years of trouble-free service. The superior design features and quality components enable them to be confidently specified for the most demanding applications.

YewdaleDefiant®blinds are designed for intensive use and are frequently to be seen in busy public areas such as hospitals and schools, as well as commercial and residential environments.

The YewdaleDefiant®vertical blind programme is one of the most comprehensive available, ranging from slim premium profiled units to heavy-duty electrically controlled blinds.

The YewdaleDefiant®fabrics programme encompasses a vast range of fabrics, all of which are flame-retardant to government standards. Fabric types include dim-out, black-out, solar reflective, sunscreen and solar film.

All YewdaleDefiant®blinds are supplied in a fully made to measure form, completely ready for ease of installation on site. Some systems are also available in a comprehensive individual component form - for ease of use within any in-house manufacturing facility.

The greatly enhanced interior environment provided by YewdaleDefiant®screens is an important contributor to the quality of life in many situations, both residential and commercial. The screens are unobtrusive, with simple and attractive detailing and quality components. The full range is distributed globally through a network of dealers and customers, with experienced installation and service teams providing an unrivalled level of support, and with experienced installation and service teams to exceed your expectations.

- VL30 Premium Profiled** **35**
- VL60 Mono** **36**
- VL64 Crank** **37**
- VL65 Electric 240v AC** **38**



this vertical blinds range comes with a Full Lifetime Warranty as standard.



see things differently



### VL30 Premium Profile

#### Features:

The YewdaleDefiant® VL30 premium profile vertical blind has a 40 x 25mm premium white aluminium head-rail with top-fix brackets and wheeled carrier trucks. The constant transport of the louvres is guaranteed by the precision made aluminium spindle shaft. Metal control chain operation with built in slip clutch for louvre tilt. Louvres are supplied in 127mm, 89mm, and 63mm widths with weights and white stabilising chain.

#### Benefits:

Robust and with a high quality level of performance, including smooth and quiet operation, the VL30 remains still visually pleasing to the eye. The comprehensive truck options satisfy the most demanding of environments whether it be residential or commercial. This system has been designed to offer a trouble-free solution throughout its lifetime.

Approved to work with the YewdaleKestrel® Anti-Ligature system.

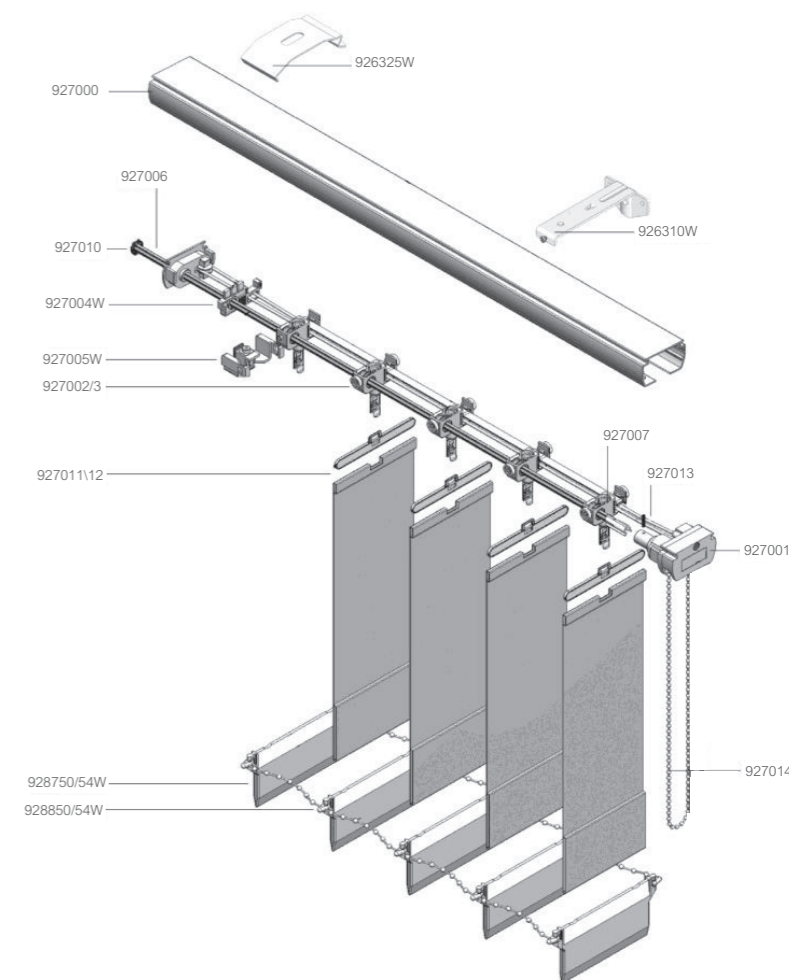
#### Options:

VL31 wand control; Spring metal trucks; Enclosed weights; VL30S sloping; Face fix brackets.

#### Specification:

The YewdaleDefiant® VL30 premium profile vertical blind with chain control as manufactured by Yewdale, +44 (0)1268 570900. 40 x 25mm white powder-coated aluminium head-rail with tilt control by metal control chain and cord draw operation. Replaceable truck hooks, or spring metal truck hooks, with 127/ 89/ 63mm louvres in flame retardant fabric from the YewdaleDefiant® range, complete with louvre weights and white stabilising chain.

Please refer to NBS Plus N10 240.



#### have you seen our new range of fabrics?

Find a matching option from the YewdaleDefiant® range. You'll find it easy to choose from, using one of our fabric selectors.

### Vertical Blind Specification Guide

Model	Min Width	Max Width	Max Drop	Max M <sup>2</sup>
VL30 Premium profile	300	4550	3200	10.5
VL31 Premium profile	300	4550	3200	10.5

Based on fabric weight of 220g/m<sup>2</sup>, e.g. Thames. Use of heavier fabrics may require appropriate reductions.



## VL60 Mono

### Features:

The YewdaleDefiant® VL60 vertical blind has a 45 x 36.5mm white aluminium head-rail with top-fix brackets and wheeled carrier trucks. The constant transport of the louvres is guaranteed by a precise aluminium spindle shaft. Mono control operation by metal control chain with built in slip clutch for both louvre tilt and draw. Louvres are supplied in 127mm and 89mm widths with weights and white stabilising chain.

### Benefits:

The VL60 offers the ease of mono control - a comfortable change gear mechanism with large chain wheel caters for continuous transport and automatically switches from tilting to traversing. By pulling the metal ball chain the louvres tilt and then traverse. The strong head-rail and the wheeled carrier trucks are designed to withstand the rigours of intensive use, whilst the ingenious mechanism allows precise control of light transmission. A robust, long-lasting blind, and one that is delightfully simple to operate.

Approved to work with the YewdaleKestrel® Anti-Ligature system.

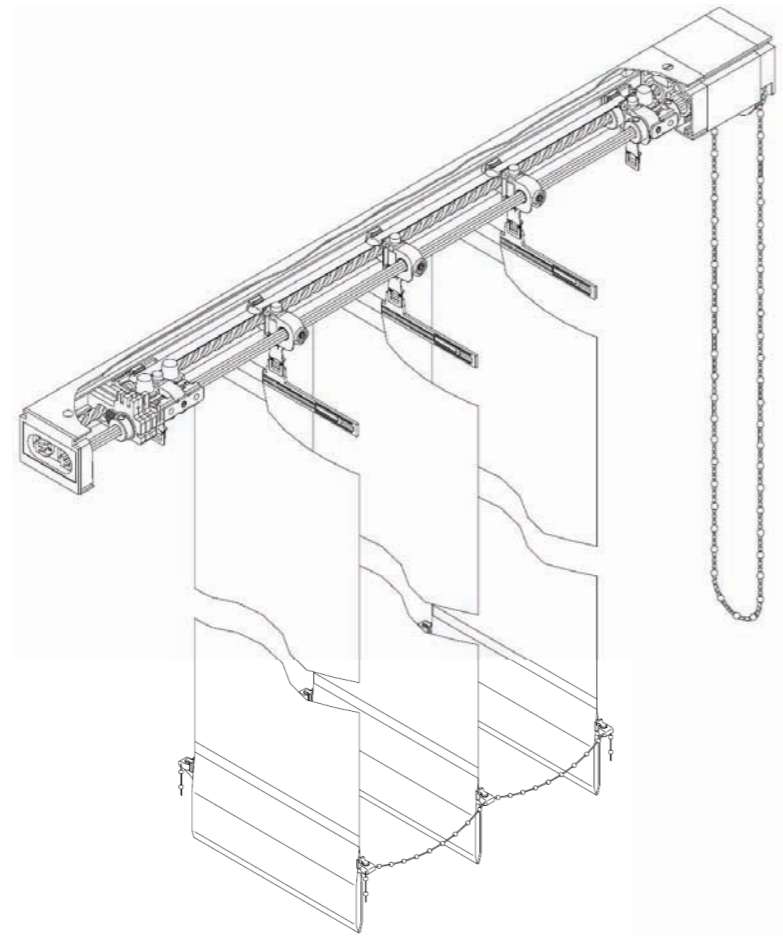
### Options:

VL60S sloping head-rail versions; Face fix brackets; Extension brackets; Enclosed weights.

### Specification:

The YewdaleDefiant® VL60 mono vertical blind with chain control as manufactured by Yewdale, +44 (0)1268 570900. 45 x 36.5mm white powder-coated aluminium head-rail with mono control by metal control chain. 127/ 89mm louvres in flame retardant fabric from the YewdaleDefiant® range, complete with louvre weights and white stabilising chain.

Please refer to NBS Plus N10 240.



## Vertical Blind Specification Guide

Model	Min Width	Max Width	Max Drop	Max M <sup>2</sup>
VL60 Mono control	300	4550	3200	14.5

Based on fabric weight of 220g/m<sup>2</sup>, e.g. Thames Use of heavier fabrics may require appropriate reductions.



## VL64 Crank

### Features:

The YewdaleDefiant® VL64 vertical blind has a 45 x 36.5mm white aluminium head-rail with top-fix brackets and wheeled carrier trucks. The constant transport of the louvres is guaranteed by a precise aluminium spindle shaft. Fixed crank operation with built in slip clutch for both louvre tilt and draw. Louvres are supplied in 127mm, and 89mm widths with weights and white stabilising chain.

### Benefits:

The VL64 offers the ease of mono control - a comfortable change gear to ensure the continuous transport and automatically switches from tilting to traversing. By turning the crank handle the louvres tilt and then traverse. The strong head-rail and wheeled carrier trucks are designed to withstand the rigours of intensive use, whilst the ingenious mechanism allows a precise control of light transmission. A long-lasting blind, and delightfully simple to operate.

Approved to work with the YewdaleKestrel® Anti-Ligature system.

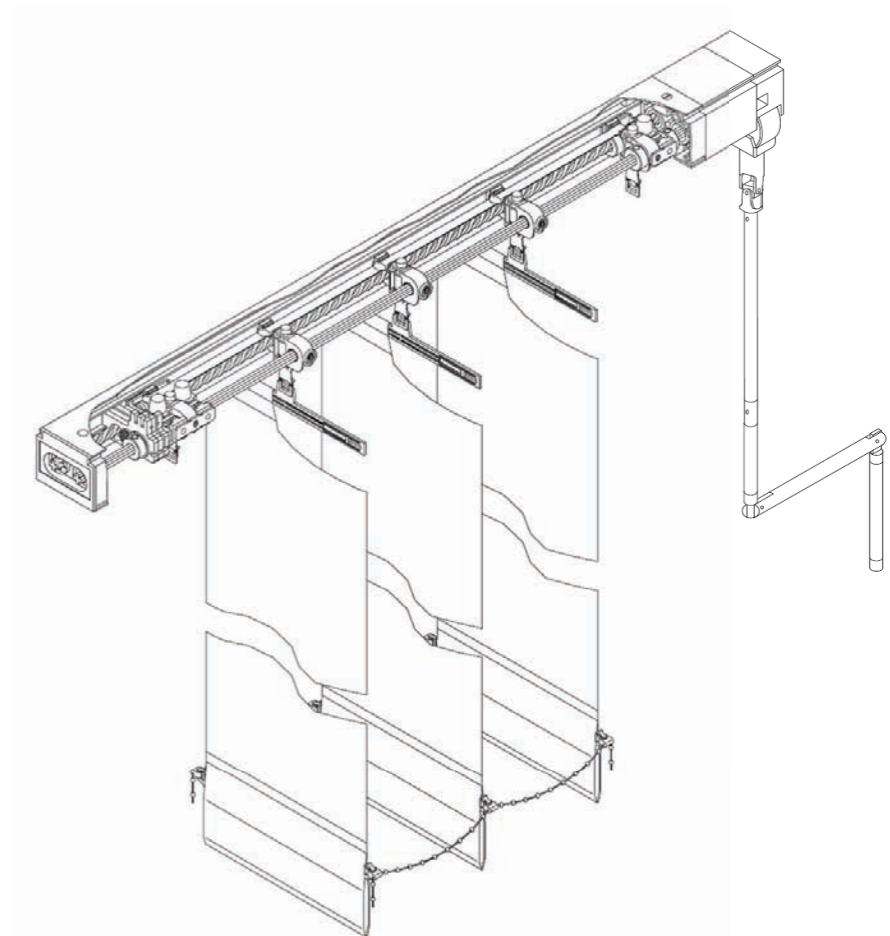
### Options:

VL64S sloping head-rail versions; Face fix brackets; Extension brackets; Enclosed weights; Detachable crank.

### Specification:

The YewdaleDefiant® VL64 mono vertical blind with crank operation as manufactured by Yewdale, +44 (0)1268 570900. 45 x 36.5mm white powder-coated aluminium head-rail with mono control by crank handle. 127/ 89mm louvres in flame-retardant fabric from the YewdaleDefiant® range, complete with louvre weights and white stabilising chain.

Please refer to NBS Plus N10 240.



have you seen our new range of fabrics?

Find a matching option from the YewdaleDefiant® range. You'll find it easy to choose from, using one of our fabric selectors.

## Vertical Blind Specification Guide

Model	Min Width	Max Width	Max Drop	Max M <sup>2</sup>
VL64 Crank control	300	4550	3200	14.5

Based on fabric weight of 220g/m<sup>2</sup>, e.g. Thames. Use of heavier fabrics may require appropriate reductions.



## VL65 Electric 240v AC

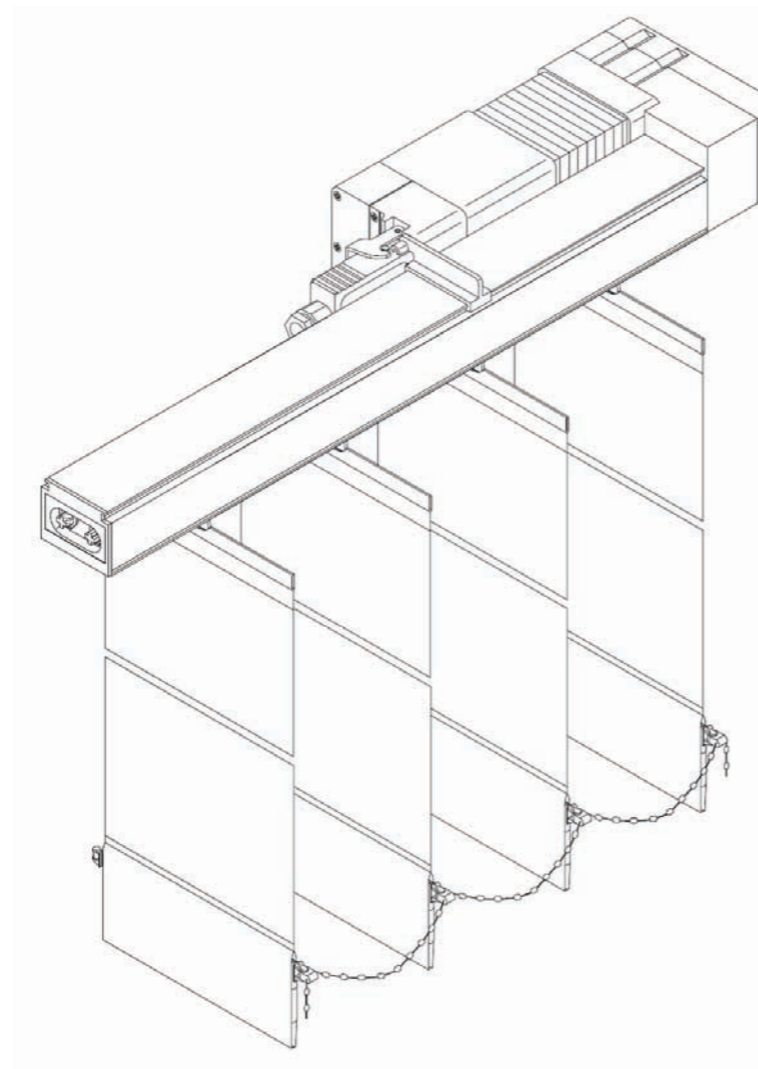
**Features:**  
The YewdaleDefiant® VL65 vertical blind has a 45 x 36.5mm white aluminium head-rail with top-fix brackets and wheeled carrier trucks. The constant transport of the louvres is guaranteed by a precise aluminium spindle shaft. Electric 240v AC operation with built in slip clutch controls both louvre tilt and draw. Louvres are supplied in 127mm, and 89mm widths with weights and white stabilising chain. Single or split draw.

**Benefits:**  
The VL65 offers the ease of mono control - a precision driven gearbox to ensure continuous transport and one which automatically switches from tilting to traversing. By operating the electric control switch the louvres tilt and then traverse. The strong head-rail and wheeled carrier trucks are designed to withstand the rigours of intensive use, whilst the ingenious mechanism allows precise control of light transmission. Another robust long-lasting blind from Yewdale.

**Options:**  
VL65S sloping head-rail versions; Face fix brackets; Extension brackets; Enclosed weights; Radio remote control; Group control.

**Specification:**  
The YewdaleDefiant® VL65 electric vertical blind with 240v AC electric motor as manufactured by Yewdale, +44 (0)1268 570900. 45 x 36.5mm white powder-coated head-rail with mono control by electric operation. 127/ 89mm louvres in flame retardant fabric from the YewdaleDefiant® range, complete with louvre weights and white stabilising chain.

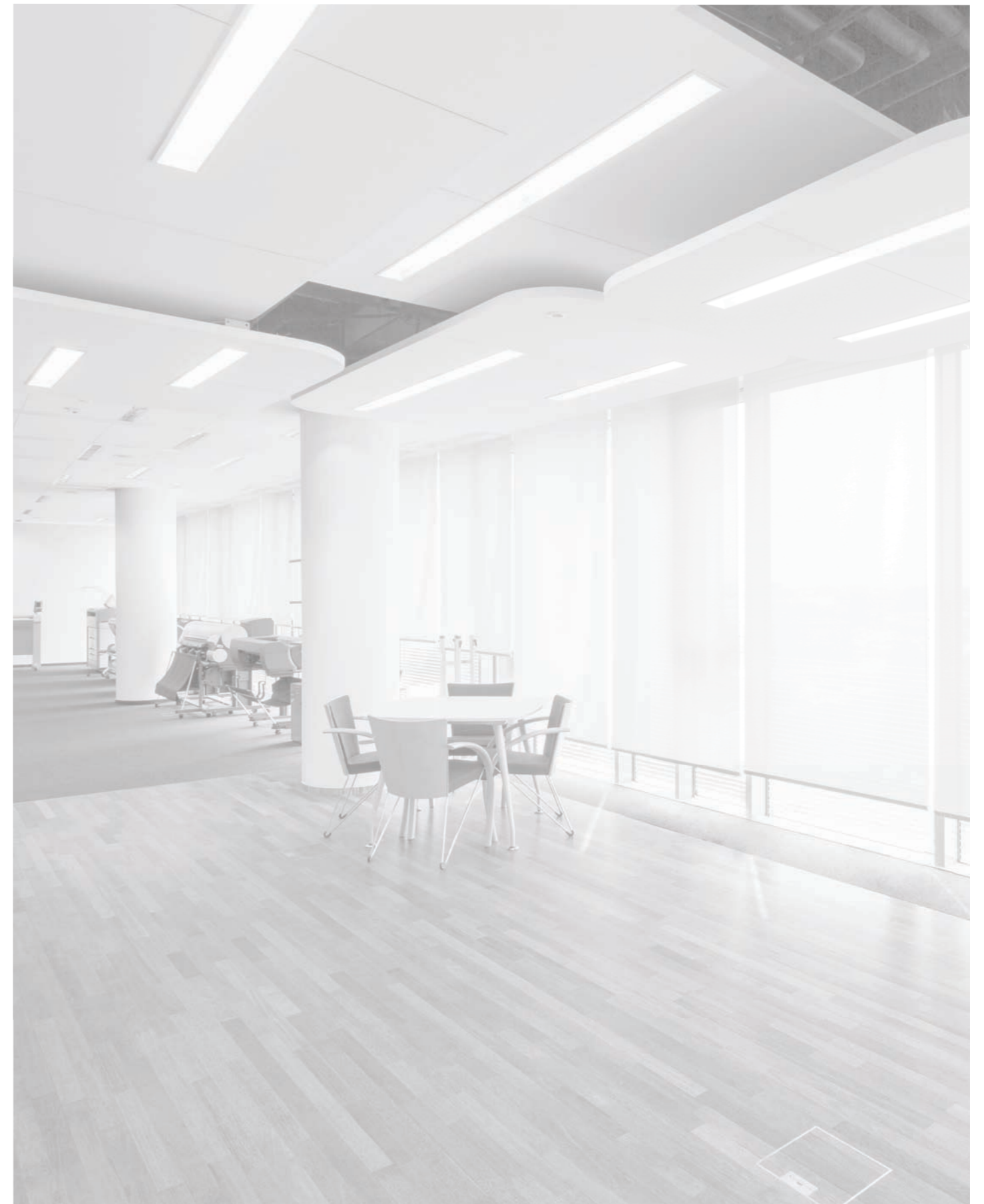
Please refer to NBS Plus N10 240.



## Vertical Blind Specification Guide

Model	Min Width	Max Width	Max Drop	Max M <sup>2</sup>
VL65 Electric	400	4550	3200	14.5

Based on fabric weight of 220g/m<sup>2</sup>, e.g. Thames. Use of heavier fabrics may require appropriate reductions.



CI/SIB 1976 reference by Sfb Agency		
(76.7)	X	



Yewdale, Enterprise Way,  
Wickford, Essex SS11 8DH  
Call +44 (0)1268 570900  
Fax +44 (0)1268 732509  
Email [sales@yewdale.co.uk](mailto:sales@yewdale.co.uk)  
Visit [yewdale.co.uk](http://yewdale.co.uk)

For more information on all  
Yewdale products, please call  
the sales department.



**yewdale Defiant**<sup>®</sup>  
FABRIC AND BLIND SYSTEMS



**yewdale Kestrel**<sup>®</sup>  
MAGNETIC ANTI-LIGATURE SYSTEM



**yewdale Movatrack**<sup>®</sup>  
CUBICLE AND TRACK SYSTEMS



**yewdale Harrier**<sup>®</sup>  
CUBICLE AND SHOWER CURTAINS



**yewdale Vitesse**<sup>®</sup>  
CURTAIN TRACK SYSTEMS